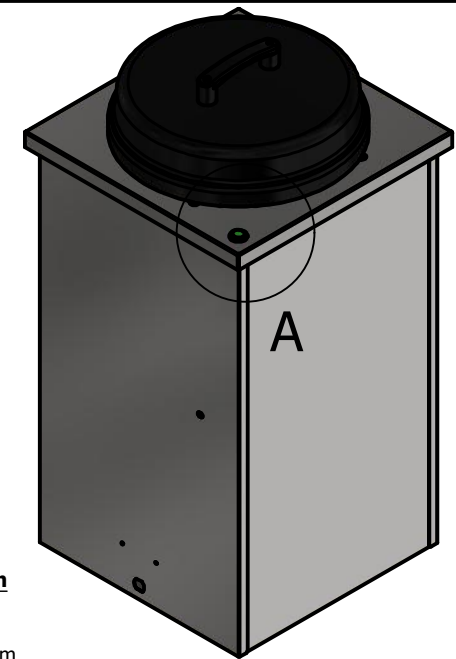
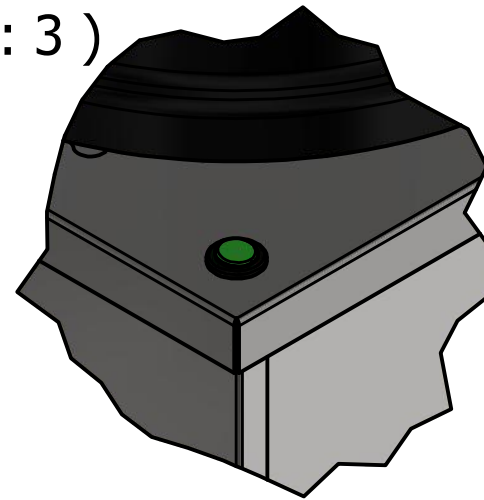
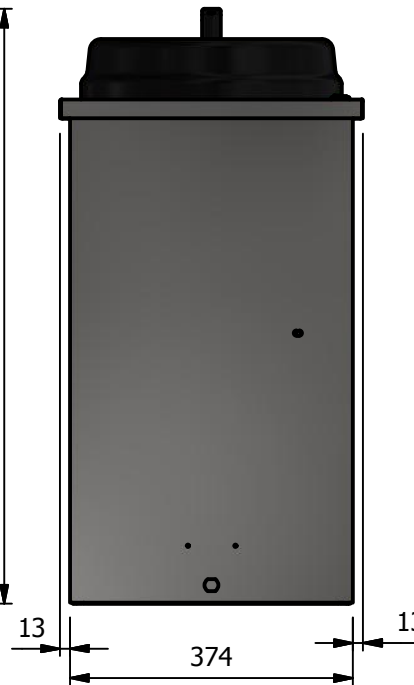
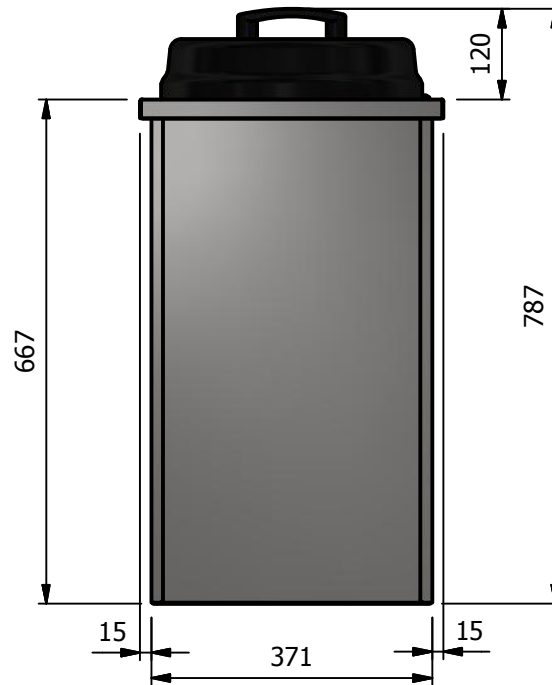
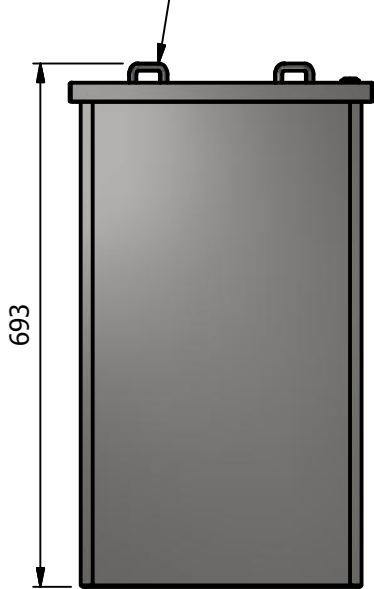


A ( 1 : 3 )



Adjustable Guide Rods to suit 8" - 12" [203mm - 305 mm] Plates



**Specification**

Dimensions

Width - 400mm  
Depth - 400mm  
Height - 788mm  
Weight - 16kg

Power Rating

0.6 kw  
complete with a 2m long cord set & 10amp plug

Materials

0.7mm 430 Grade St/Steel Gantry Hood  
1.2mm 304 Grade St/ Steel Top & Supports  
1.2mm 430 Grade St Steel Ancillary Parts  
Plate Cover Black ABS plastic

Capacity

65 plates depending on type and thickness

Installation

Counter Top Flush Fit Cut Out Dimensions  
406mm x 406mm x 25mm  
Counter Support Cut Out Dimensions  
376mm x 376mm

ALL SHEET METAL DIMENSIONS ARE I/S (INSIDE SIZES) (UNLESS OTHERWISE STATED)

ALL DIMENSIONS IN (mm), TOLERANCE = LINEAR ± 0.5mm, ANGULAR ± 0.5mm (OR AS STATED). ALL SHARP EDGES TO BE REMOVED FROM SHEET METAL PARTS

Product	DROP-IN RANGE			Product No			
Description	DHP1						
Material/Finish	Thickness		Desp/Date				
Legacy P/N	Weight	16kg	Quote No.				
Client				SO Number	N/A		
Client Project				Approved By			
VERSIGEN AUSTRALIA PTY LTD, 182 HARTLEY ROAD, SMEATON GRANGE, NSW 2567, T: +61 (0)131 653 330, E: sales@versigen.com.au, Web: www.versigen.com.au				Dwg No.	DIP-032095		Issue
				Drawn By	nraymen		-
				Date	08/04/2019		
				Scale	1 : 10	Sheet	1 / 1   A4

No reproduction or publication of this drawing may be made, and no article may be manufactured or assembled in accordance with this drawing without prior written consent. This prohibition is a term of any contract relating to this drawing. Rights reserved under the Copyright Act 1956 as amended by the Design Copyright Act 1968.

