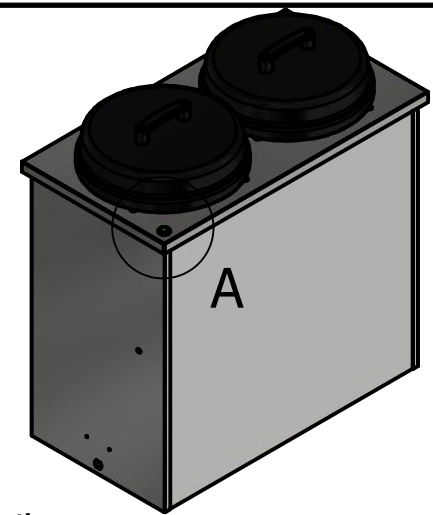
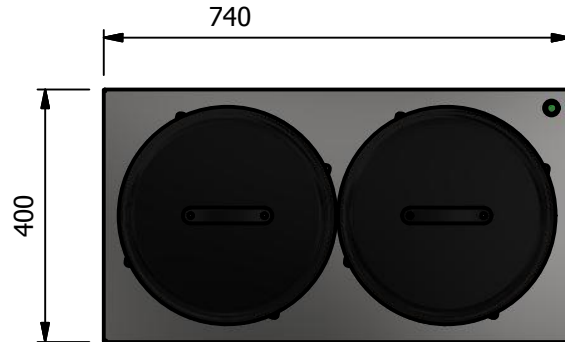
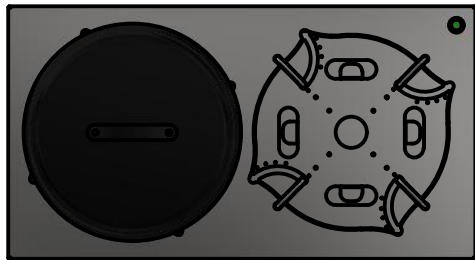
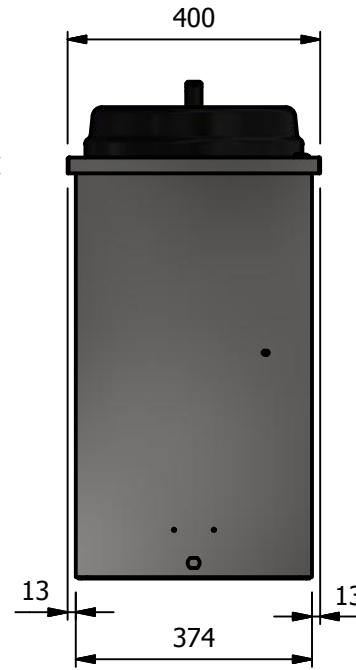
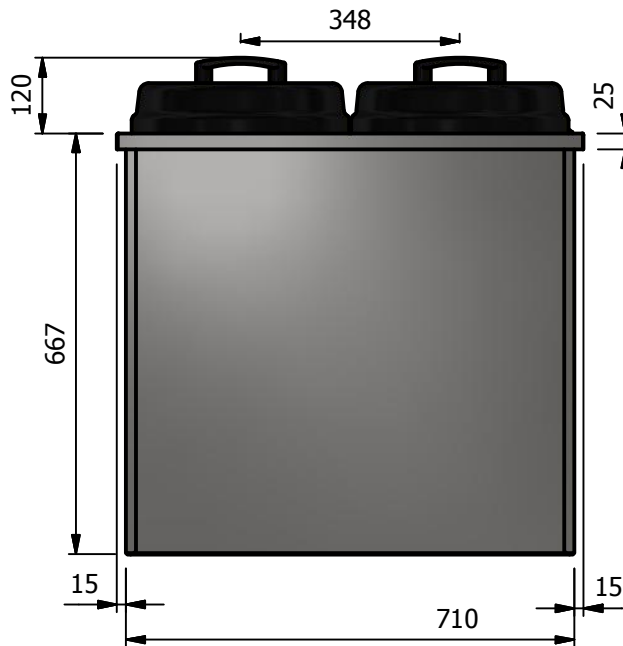
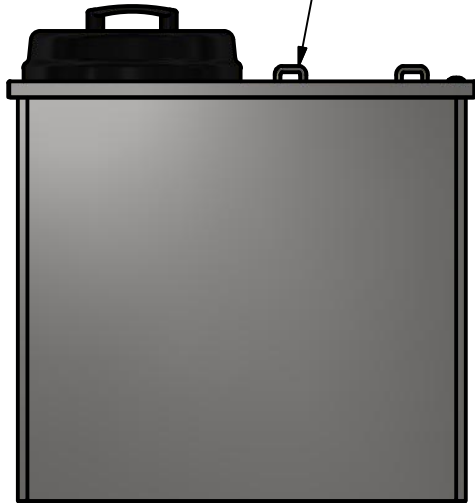


A (1 : 6)



Adjustable Guide Rods to suit 8" - 12" [203mm - 305 mm] Plates



Specification

Dimensions
 Width - 400mm
 Depth - 740mm
 Height - 788mm
 Weight - 28kg

Power Rating
 1.2 kw
 complete with a 2m long cord set & 10amp plug

Materials
 0.7mm 430 Grade St/Steel Gantry Hood
 1.2mm 304 Grade St/ Steel Top & Supports
 1.2mm 430 Grade St Steel Ancillary Parts
 Plate Cover Black ABS plastic

Capacity
 130 plates approximately
 Each tube can hold up to 65 plates
 depending on type and thickness

Installation
 Counter Top Flush Fit Cut Out Dimensions
 406mm x 746mm x 25mm
 Counter Support Cut Out Dimensions
 376mm x 716mm

ALL SHEET METAL DIMENSIONS ARE I/S (INSIDE SIZES) (UNLESS OTHERWISE STATED)

ALL DIMENSIONS IN (mm), TOLERANCE = LINEAR ± 0.5mm, ANGULAR ± 0.5mm (OR AS STATED). ALL SHARP EDGES TO BE REMOVED FROM SHEET METAL PARTS

| | | | | | | | |
|---|---------------|------|-----------|-------------|------------|-------|------------|
| Product | DROP-IN RANGE | | | Product No | | | |
| Description | DHP2 | | | | | | |
| Material/Finish | Thickness | | Desp/Date | | | | |
| Legacy P/N | Weight | 28kg | Quote No. | | | | |
| Client | | | | SO Number | N/A | | |
| Client Project | | | | Approved By | | | |
| VERSIGEN AUSTRALIA PTY LTD, 182 HARTLEY ROAD, SMEATON GRANGE, NSW 2567, T: +61 (0)131 653 330, E: sales@versigen.com.au, Web: www.versigen.com.au | | | | Dwg No. | DIP-032180 | | Issue |
| | | | | Drawn By | nraymen | | - |
| | | | | Date | 08/04/2019 | | |
| | | | | Scale | 1 : 12 | Sheet | 1 / 1 A4 |

No reproduction or publication of this drawing may be made, and no article may be manufactured or assembled in accordance with this drawing without prior written consent. This prohibition is a term of any contract relating to this drawing. Rights reserved under the Copyright Act 1956 as amended by the Design Copyright Act 1968.

