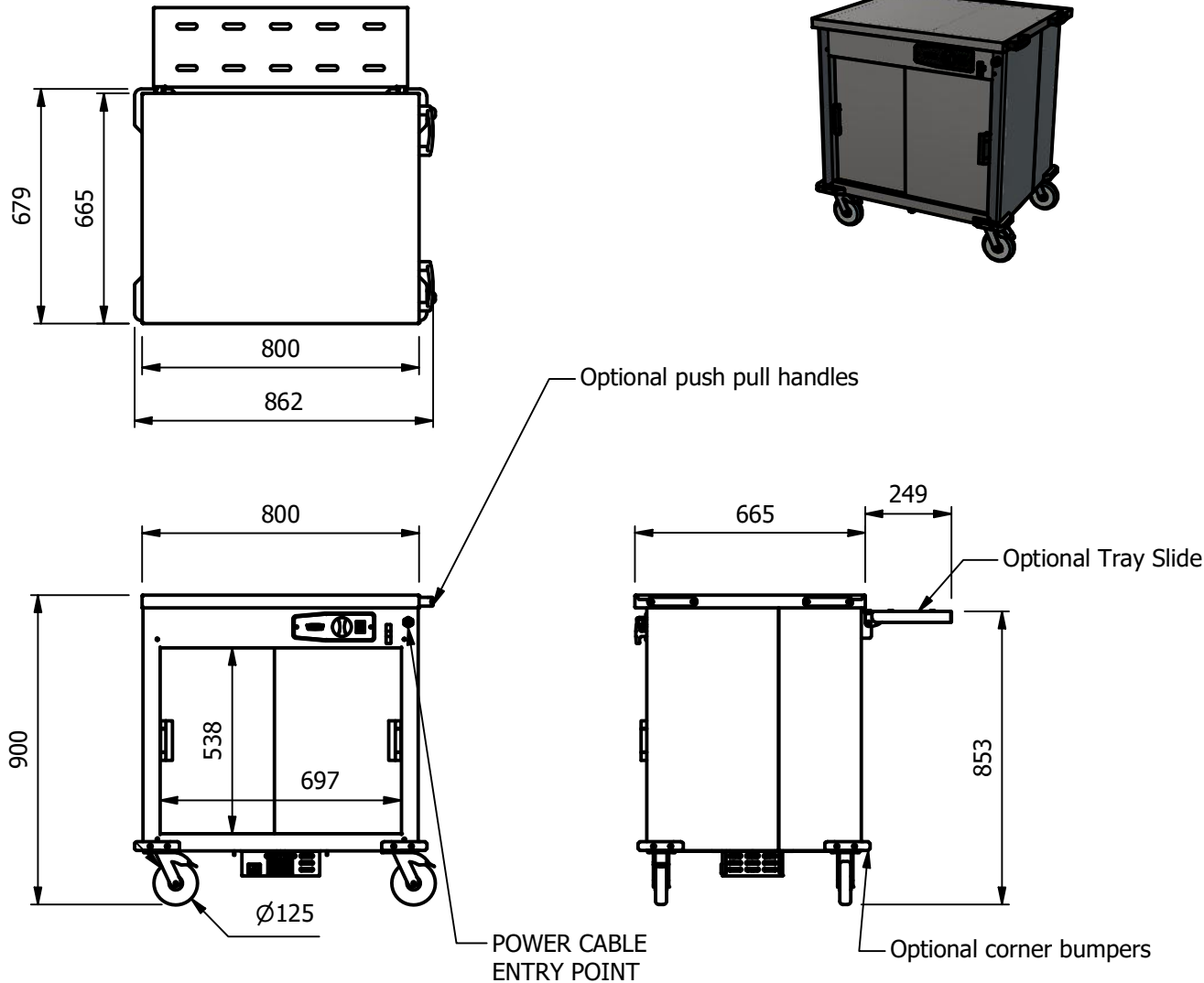
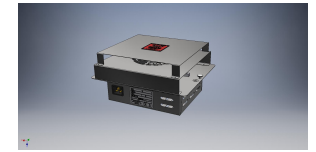


Sahara Fan Model SF309



**Versigen Specification**

Dry Heat  
Fan Assisted Hotcupboard

Dimensions  
Length - 800mm (862mm with corner bumpers and push handles)  
Depth - 665mm (679mm with bumpers, 715mm with folded tray rail)  
Height - 900mm  
Weight - 54kg

Capacity of Hot Cupboard [usable inside space]

Length - 697mm  
Depth - 538mm  
Usable Height Bottom shelf - 204mm  
Usable Height Top Shelf - 265mm

24 covers & meals [10" plated meals stacked using plate covers]  
or  
72 off 10" plates stacked for heating  
or  
4 off 1/1GN pans side by side 150mm deep 2 on top 2 on bottom

Power Rating  
0.9kw with no gantry, 1.12Kw with heated gantry.  
complete with a 2m long cord set & 13amp plug  
Removable Fan heating System Sahara Fan Model SF309

Materials  
1.2mm 304 Grade St/ Steel Top & Supports  
0.7mm 430 Grade St/ Steel Internal Structure  
GN 1/1 Grid Shelves with 30mm x 30mm tube supports

Installation  
All swivel castors, two braked

ALL SHEET METAL DIMENSIONS ARE I/S (INSIDE SIZES) (UNLESS OTHERWISE STATED)

ALL DIMENSIONS IN (mm), TOLERANCE = LINEAR ± 0.5mm, ANGULAR ± 0.5mm (OR AS STATED). ALL SHARP EDGES TO BE REMOVED FROM SHEET METAL PARTS

Product	FOCUS			Product No							
Description	*** 2FHCM ***										
Material/Finish	Thickness			Desp/Date							
Legacy P/N	Weight	54kg		Quote No.	Dwg No.		UMP-085931-1				
Client				SO Number	STANDARD		Drawn By	N.Raymen			
Client Project				Approved By			Date	19/01/2021			
VERSIGEN AUSTRALIA PTY LTD, 182 HARTLEY ROAD, SMEATON GRANGE, NSW 2567, T: +61 (0)131 653 330, E: sales@versigen.com.au, Web: www.versigen.com.au							Scale	1 : 20	Sheet	1 / 2	A4

No reproduction or publication of this drawing may be made, and no article may be manufactured or assembled in accordance with this drawing without prior written consent. This prohibition is a term of any contract relating to this drawing. Rights reserved under the Copyright Act 1956 as amended by the Design Copyright Act 1968.

