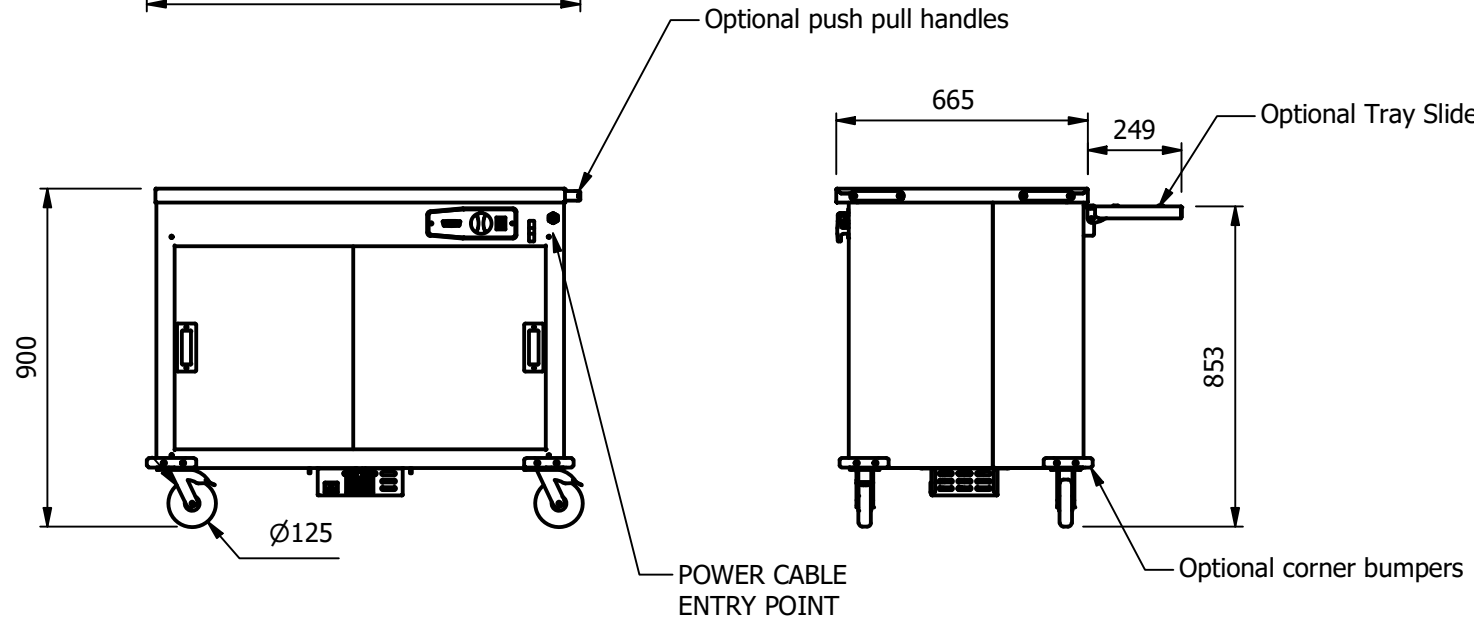
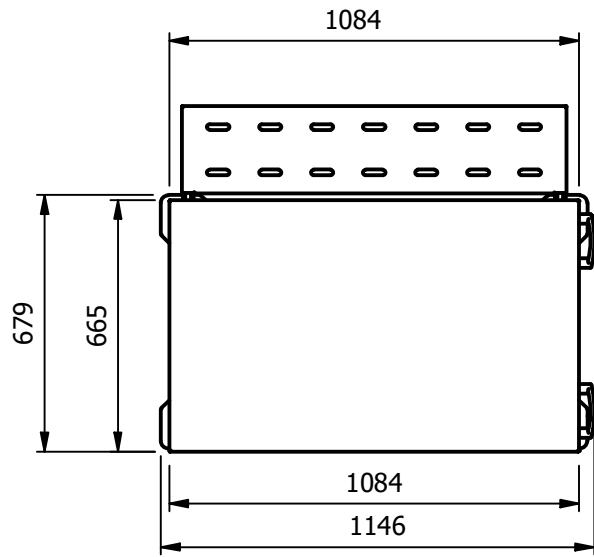
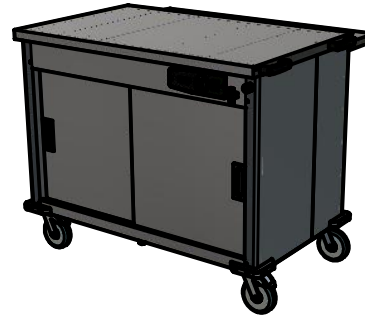
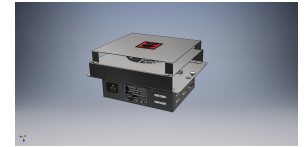


Sahara Fan Model SF319



Versigen Specification

Dry Heat
Fan Assisted Hotcupboard

Dimensions
Length - 1084mm (1146mm with corner bumpers and push handles)
Depth - 665mm (679mm with bumpers, 715mm with folded tray rail)
Height - 900mm
Weight - 63kg

Capacity of Hot Cupboard [usable inside space]
length - 981mm
Depth - 538mm
Usable Height Bottom shelf - 204mm
Usable Height Top Shelf - 265mm

36 covers & meals [10" plated meals stacked using plate covers]
or
108 off 10" plates stacked for heating
or
6 off 1/1GN pans side by side 150mm deep 3 on top 3 on bottom

Power Rating
1.9kw with no gantry, 2.34Kw with heated gantry.
complete with a 2m long cord set & 13amp plug
Removable Fan heating System Sahara Fan Model SF319

Materials
1.2mm 304 Grade St/ Steel Top & Supports
0.7mm 430 Grade St/ Steel Internal Structure
GN 1/1 Grid Shelves with 30mm x 30mm tube supports

Installation
All swivel castors, two braked

ALL SHEET METAL DIMENSIONS ARE I/S (INSIDE SIZES) (UNLESS OTHERWISE STATED)

ALL DIMENSIONS IN (mm), TOLERANCE = LINEAR ± 0.5mm, ANGULAR ± 0.5mm (OR AS STATED). ALL SHARP EDGES TO BE REMOVED FROM SHEET METAL PARTS

Product	FOCUS			Product No							
Description	*** 3FHCM ***										
Material/Finish	Thickness			Desp/Date							
Legacy P/N	Weight	63kg		Quote No.	Dwg No.		UMP-085930-1				
Client				SO Number	STANDARD		Drawn By	N.Raymen			
Client Project				Approved By			Date	19/01/2021			
VERSIGEN AUSTRALIA PTY LTD, 182 HARTLEY ROAD, SMEATON GRANGE, NSW 2567, T: +61 (0)131 653 330, E: sales@versigen.com.au, Web: www.versigen.com.au							Scale	1 : 20	Sheet	1 / 2	A4

No reproduction or publication of this drawing may be made, and no article may be manufactured or assembled in accordance with this drawing without prior written consent. This prohibition is a term of any contract relating to this drawing. Rights reserved under the Copyright Act 1956 as amended by the Design Copyright Act 1968.

