

Specification

Bainmarie well "wet or dry"
 Can Be used dry heat or wet heat using hot water and steam.
 The open bath is designed to hold Gastronorm pans and heats via solid state elements fitted externally on the base of the bath, additional excess residual hot air from the hot cupboard is also used to maintain temperature which gives energy saving efficiency.

Dry Heat
 Fan Assisted Hotcupboard

Power Rating
 2.4kw
 Complete with a 2m long cord set
 Removable Fan heating System Sahara Fan Model SF309

Materials
 1.2mm 304 Grade St/ Steel Top & Supports
 0.7mm 430 Grade St/ Steel Internal Structure
 GN 1/1 Grid Shelves with 30mm x 30mm tube supports

Installation
 All swivel castors, two braked

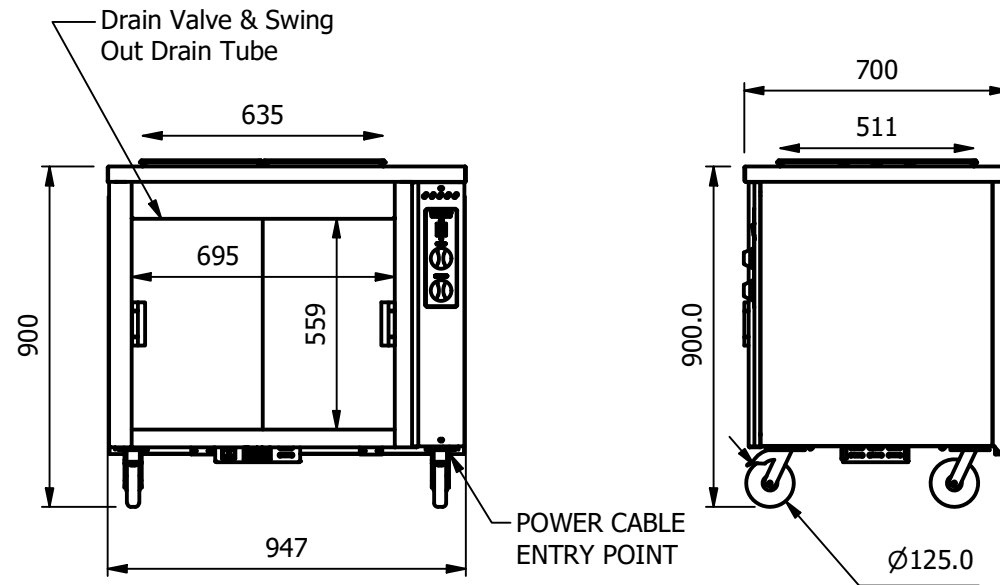
Dimensions
 Width - 947mm
 Depth - 700mm
 Height - 900mm
 Weight - 65kg

Capacity of Bainmarie
 Two GN1/1 pans up to 150mm deep
 [Note:-pans are not supplied, available at extra cost]

Capacity of Hot Cupboard [usable inside space]
 Width - 695mm
 Depth - 559mm
 Usable Height Bottom shelf - 210mm
 Usable Height Top Shelf - 195mm

25 covers & meals [10" plated meals stacked using plate covers]
 or
 95 off 10" plates stacked for heating
 or
 4 off 1/1GN pans side by side 150mm deep 2 on top 2 on bottom

Installation
 All swivel castors, two braked



ALL SHEET METAL DIMENSIONS ARE I/S (INSIDE SIZES) (UNLESS OTHERWISE STATED)

ALL DIMENSIONS IN (mm), TOLERANCE = LINEAR ± 0.5mm, ANGULAR ± 0.5mm (OR AS STATED). ALL SHARP EDGES TO BE REMOVED FROM SHEET METAL PARTS

Product	COUNTERS			Product No	 FOODSERVICE EQUIPMENT				
Description	HB2-7								
Material/Finish	Thickness		Desp/Date		<small>No reproduction or publication of this drawing may be made, and no article may be manufactured or assembled in accordance with this drawing without prior written consent. This prohibition is a term of any contract relating to this drawing. Rights reserved under the Copyright Act 1956 as amended by the Design Copyright Act 1968.</small>				
Legacy P/N	Weight	65kg	Quote No.						
Client			SO Number	N/A	Dwg No.	CTRP-113178-1	Issue		
Client Project			Approved By		Drawn By	ABB	-		
Versigen Foodservice Equipment 1/182 Hartley Road Smeaton Grange NSW 2567 Tel: 1300 653 330 Email: sales@versigen.com.au					Date	28/06/2021			
					Scale	1 : 20	Sheet	1 / 2	A4