

Specification

Solid Stainless Steel Worktop
 Insulated for efficiency
 provides a clean serving area.

Dry Heat
 Fan Assisted Hotcupboard

Dimensions
 Width - 947mm
 Depth - 700mm
 Height - 900mm
 Weight - 63kg

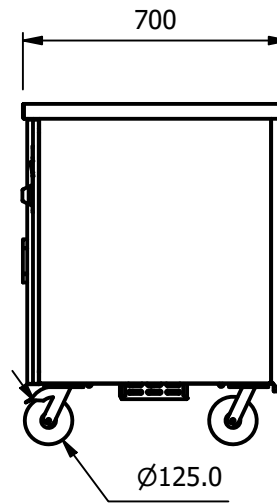
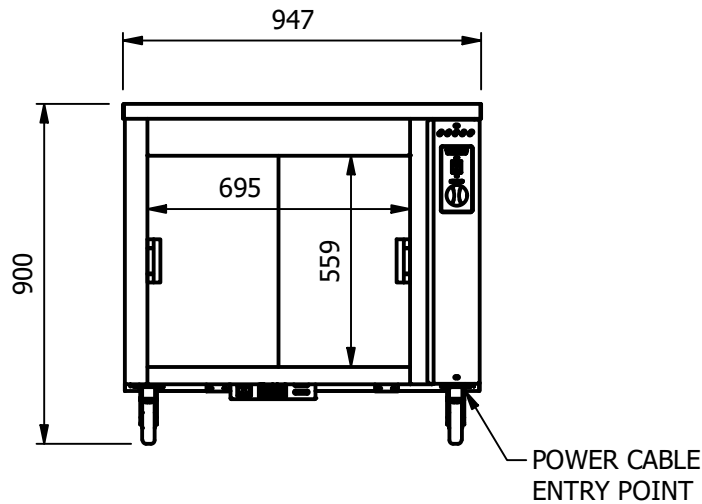
Capacity of Hot Cupboard [usable inside space]
 Width - 695mm
 Depth - 559mm
 Usable Height Bottom shelf - 210mm
 Usable Height Top Shelf - 195mm

25 covers & meals [10" plated meals stacked using plate covers]
 or
 95 off 10" plates stacked for heating
 or
 4 off 1/1GN pans side by side 150mm deep 2 on top 2 on bottom

Power Rating
 0.9kw.
 complete with a 2m long cord set & 13amp plug
 Removable Fan heating System Sahara Fan Model SF309

Materials
 1.2mm 304 Grade St/ Steel Top & Supports
 0.7mm 430 Grade St/ Steel Internal Structure
 GN 1/1 Grid Shelves with 30mm x 30mm tube supports

Installation
 All swivel castors, two braked



ALL SHEET METAL DIMENSIONS ARE I/S (INSIDE SIZES) (UNLESS OTHERWISE STATED)

ALL DIMENSIONS IN (mm), TOLERANCE = LINEAR ± 0.5mm, ANGULAR ± 0.5mm (OR AS STATED). ALL SHARP EDGES TO BE REMOVED FROM SHEET METAL PARTS

Product	COUNTERS			Product No					
Description	HC2-7			<small>© No reproduction or publication of this drawing may be made, and no article may be manufactured or assembled in accordance with this drawing without prior written consent. This prohibition is a term of any contract relating to this drawing. Rights reserved under the Copyright Act 1956 as amended by the Design Copyright Act 1968.</small>					
Material/Finish	Thickness		Desp/Date						
Legacy P/N	Weight	63kg	Quote No.						
Client			SO Number	N/A	Drawn By	N.Raymen	-		
Client Project			Approved By		Date	28/06/2021			
Versigen Foodservice Equipment 1/182 Hartley Road Smeaton Grange NSW 2567 Tel: 1300 653 330 Email: sales@versigen.com.au					Scale	1 : 20	Sheet	1 / 2	A4