

Specification

Solid Stainless Steel Worktop
Insulated for efficiency
provides a clean serving area.

Dry Heat
Fan Assisted Hotcupboard

Dimensions
Width - 1275mm
Depth - 700mm
Height - 900mm
Weight - 78kg

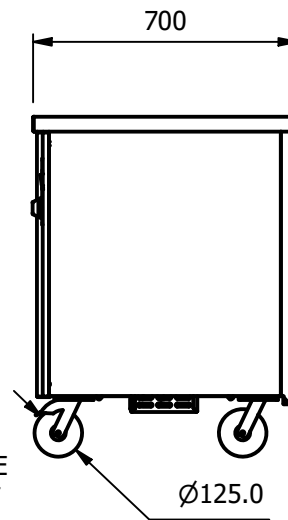
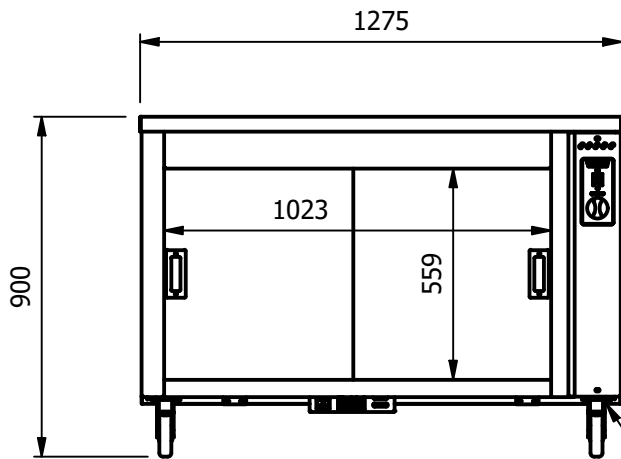
Capacity of Hot Cupboard [usable inside space]
Width - 1023mm
Depth - 559mm
Usable Height Bottom shelf - 210mm
Usable Height Top Shelf - 195mm

35 covers & meals [10" plated meals stacked using plate covers]
or
133 off 10" plates stacked for heating
or
6 off 1/1GN pans side by side 150mm deep 3 on top 3 on bottom

Power Rating
1.5kw.
complete with a 2m long cord set & 13amp plug
Removable Fan heating System Sahara Fan Model SF315

Materials
1.2mm 304 Grade St/ Steel Top & Supports
0.7mm 430 Grade St/ Steel Internal Structure
GN 1/1 Grid Shelves with 30mm x 30mm tube supports

Installation
All swivel castors, two braked



POWER CABLE
ENTRY POINT

ALL SHEET METAL DIMENSIONS ARE I/S (INSIDE SIZES) (UNLESS OTHERWISE STATED)

ALL DIMENSIONS IN (mm), TOLERANCE = LINEAR ± 0.5mm, ANGULAR ± 0.5mm (OR AS STATED). ALL SHARP EDGES TO BE REMOVED FROM SHEET METAL PARTS

Product	COUNTERS			Product No							
Description	HC3-7			<small>No reproduction or publication of this drawing may be made, and no article may be manufactured or assembled in accordance with this drawing without prior written consent. This prohibition is a term of any contract relating to this drawing. Rights reserved under the Copyright Act 1956 as amended by the Design Copyright Act 1968.</small>							
Material/Finish	Thickness			Desp/Date							
Legacy P/N	Weight	78kg		Quote No.	Dwg No.	CTRP-113426-1		Issue			
Client				SO Number	N/A		Drawn By	ABB			
Client Project				Approved By			Date	28/06/2021			
Versigen Foodservice Equipment 1/182 Hartley Road Smeaton Grange NSW 2567 Tel: 1300 653 330 Email: sales@versigen.com.au							Scale	1 : 20	Sheet	1 / 2	A4

