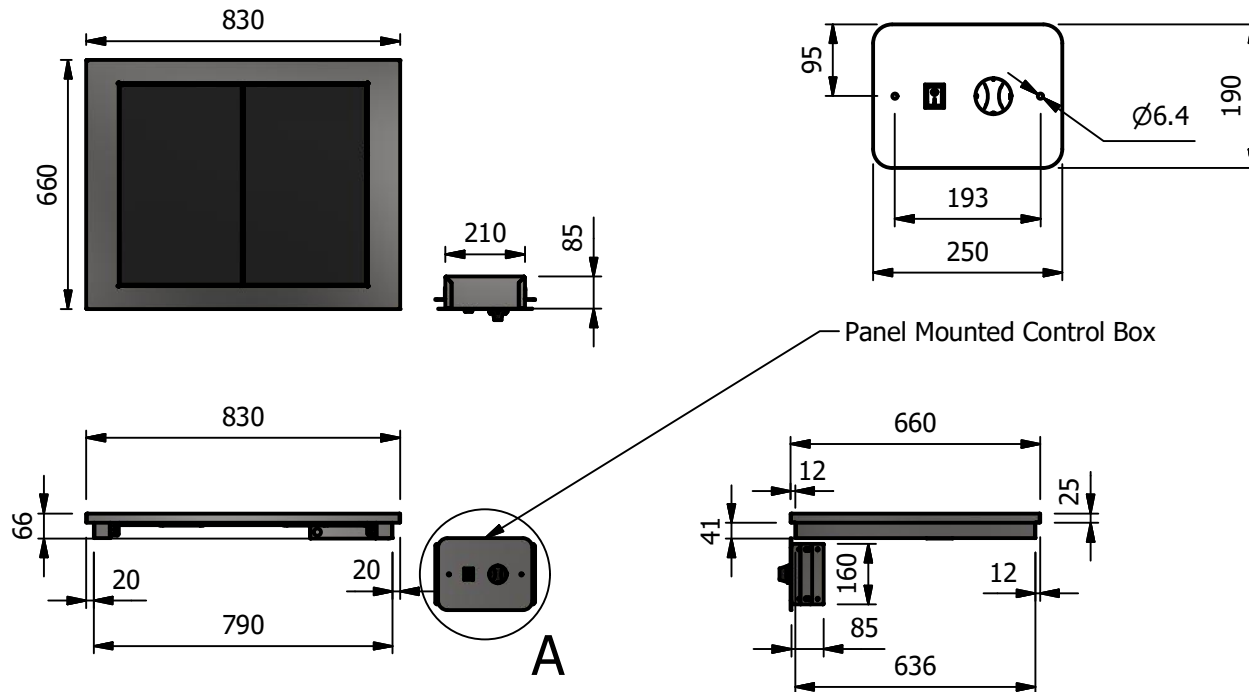


A ( 1 : 10 )



**Versigen Specification**

Dimensions  
 Width - 830mm  
 Depth - 660mm  
 Height - 66mm  
 Weight - 18kg

Power Rating  
 0.360 kw  
 complete with a 2m long cord set & 10amp plug

Materials  
 1.2mm 304 Grade St/ Steel Top & Supports  
 1.2mm Galvanised Steel Inner Supports  
 Neo-Ceram Hot Plates

Installation  
 Counter Top Flush Fit Cut Out Dimensions  
 836mm x 666mm x 25mm  
 Counter Support Cut Out Dimensions  
 812mm x 642mm

Control Box  
 Panel Mounted Cut Out Dimension  
 215mm x 165mm  
 2m Long Power Cable Connecting  
 Control Box to Base unit

ALL SHEET METAL DIMENSIONS ARE I/S (INSIDE SIZES) (UNLESS OTHERWISE STATED)

ALL DIMENSIONS IN (mm), TOLERANCE = LINEAR ± 0.5mm, ANGULAR ± 0.5mm (OR AS STATED). ALL SHARP EDGES TO BE REMOVED FROM SHEET METAL PARTS

Product	DROP-IN RANGE			Product No						
Description	D2HTNG			<small>© No reproduction or publication of this drawing may be made, and no article may be manufactured or assembled in accordance with this drawing without prior written consent. This prohibition is a term of any contract relating to this drawing. Rights reserved under the Copyright Act 1956 as amended by the Design Copyright Act 1968.</small>						
Material/Finish	Thickness		Desp/Date							
Legacy P/N	Weight	18kg	Quote No.							
Client				SO Number	N/A	Dwg No.	DIP-016813	Issue		
Client Project				Approved By		Drawn By	ABB	-		
VERSIGEN AUSTRALIA PTY LTD, 182 HARTLEY ROAD, SMEATON GRANGE, NSW 2567, T: +61 (0)131 653 330, E: sales@versigen.com.au, Web: www.versigen.com.au						Date	15/01/2019			
						Scale	1 : 20	Sheet	1 / 2	A4