

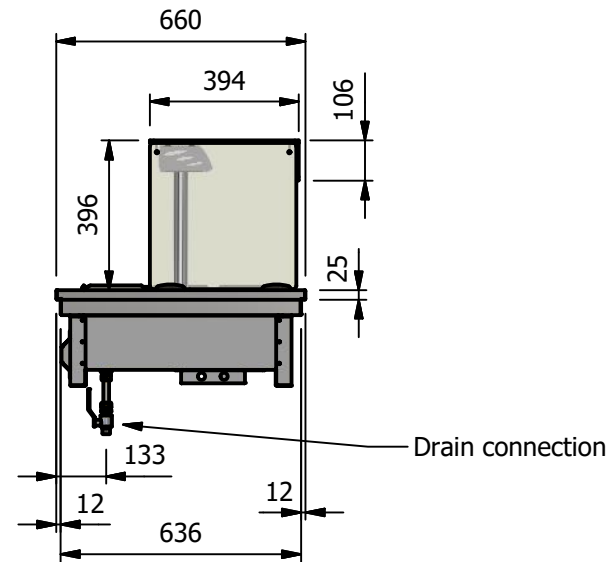
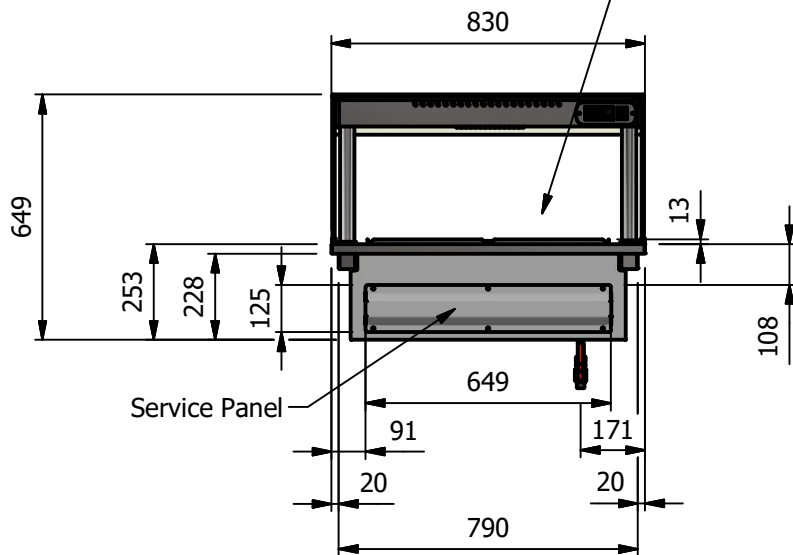
Important Design Parameters

On the operators side of the Servery Counter a removable service panel is required to allow access to service heating elements etc. The dimensions of the access aperture must be no less than 669mm x 145mm.

Additionally access is required to manually operate the drain valve. Drain connection is via 15mm lever ball valve.

Warning

The unit must be manually filled with water. Capacity 13 litre
A depth of 40mm must be maintained during operation.
[water level marker fitted to element cover]



Versigen Specification

Wet Heat
Immersion heated Bainmarie Well

Dimensions
Width - 830mm
Depth - 660mm
Height - 649mm
Weight - 40kg

Power Rating
2.22kw
complete with a 2m long cord set & 10amp plug

Materials
1.2mm 304 Grade St/ Steel Top, Supports & Well
0.7mm 430 Grade St/ Steel External Structure
0.7mm Galvanised Steel Undercarrage
6mm Tempered Glass
Quartz Lamps

Installation
Counter Top Flush Fit Cut Out Dimensions
836mm x 666mm x 25mm
Counter Support Cut Out Dimensions
812mm x 642mm

ALL SHEET METAL DIMENSIONS ARE I/S (INSIDE SIZES) (UNLESS OTHERWISE STATED)

ALL DIMENSIONS IN (mm), TOLERANCE = LINEAR ± 0.5mm, ANGULAR ± 0.5mm (OR AS STATED). ALL SHARP EDGES TO BE REMOVED FROM SHEET METAL PARTS

| | | | | | | | |
|---|---------------|------|--|-------------|------------|-------|-----------|
| Product | DROP-IN RANGE | | | Product No | | | |
| Description | D2BMWSL | | | | | | |
| Material/Finish | Thickness | | | Desp/Date | | | |
| Legacy P/N | Weight | 40kg | | Quote No. | | | |
| Client | | | | SO Number | N/A | | - |
| Client Project | | | | Approved By | | | |
| VERSIGEN AUSTRALIA PTY LTD, 182 HARTLEY ROAD, SMEATON GRANGE, NSW 2567, T: +61 (0)131 653 330, E: sales@versigen.com.au, Web: www.versigen.com.au | | | | Dwg No. | DIP-022842 | | Issue |
| | | | | Drawn By | ABB | | - |
| | | | | Date | 16/01/2019 | | |
| | | | | Scale | 1:20 | | Sheet |
| | | | | | | 1 / 2 | A4 |

No reproduction or publication of this drawing may be made, and no article may be manufactured or assembled in accordance with this drawing without prior written consent. This prohibition is a term of any contract relating to this drawing. Rights reserved under the Copyright Act 1956 as amended by the Design Copyright Act 1968.

