

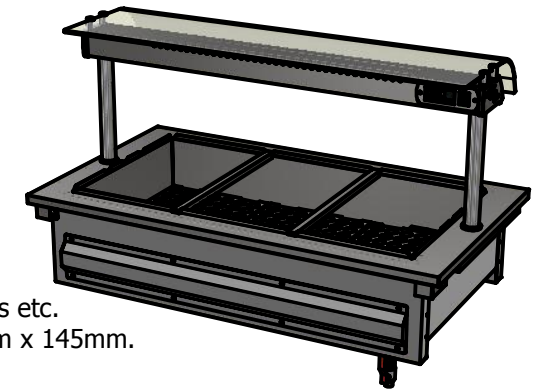
Important Design Parameters

On the operators side of the Servery Counter a removable service panel is required to allow access to service heating elements etc. The dimensions of the access aperture must be no less than 997mm x 145mm.

Additionally access is required to manually operate the drain valve. Drain connection is via 15mm lever ball valve.

Warning

The unit must be manually filled with water. Capacity 20 litre. A depth of 40mm must be maintained during operation. [water level marker fitted to element cover]



Versigen Specification

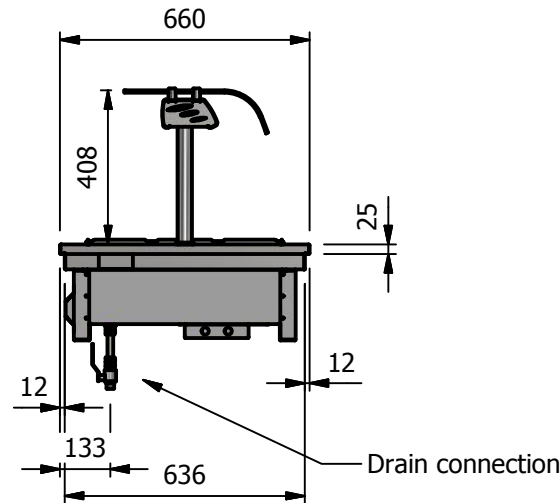
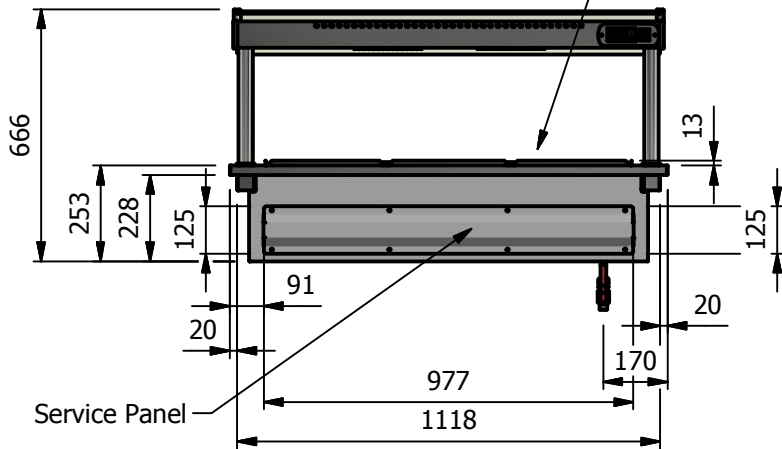
Wet Heat
Immersion heated Bainmarie Well

Dimensions
Width - 1158mm
Depth - 660mm
Height - 666mm
Weight - 44kg

Power Rating
3.44kw
complete with a 2m long cord set & 15amp plug

Materials
1.2mm 304 Grade St/ Steel Top, Supports & Well
0.7mm 430 Grade St/ Steel External Structure
0.7mm Galvanised Steel Undercarrage
6mm Tempered Glass
Quartz Lamps

Installation
Counter Top Flush Fit Cut Out Dimensions
1164mm x 666mm x 25mm
Counter Support Cut Out Dimensions
1140mm x 642mm



ALL SHEET METAL DIMENSIONS ARE I/S (INSIDE SIZES) (UNLESS OTHERWISE STATED)

ALL DIMENSIONS IN (mm), TOLERANCE = LINEAR ± 0.5mm, ANGULAR ± 0.5mm (OR AS STATED). ALL SHARP EDGES TO BE REMOVED FROM SHEET METAL PARTS

| | | | | | | | | | |
|-----------------|---------------|------|-------------|------------|--|------------|-------|-------|----|
| Product | DROP-IN RANGE | | | Product No | <small>© No reproduction or publication of this drawing may be made, and no article may be manufactured or assembled in accordance with this drawing without prior written consent. This prohibition is a term of any contract relating to this drawing. Rights reserved under the Copyright Act 1956 as amended by the Design Copyright Act 1968.</small> | | | | |
| Description | D3BMW | | | | | | | | |
| Material/Finish | Thickness | | Desp/Date | | Dwg No. | DIP-022412 | Issue | | |
| Legacy P/N | Weight | 44kg | Quote No. | | Drawn By | ABB | - | | |
| Client | | | SO Number | N/A | Date | 16/01/2019 | | | |
| Client Project | | | Approved By | | Scale | 1:20 | Sheet | 1 / 2 | A4 |