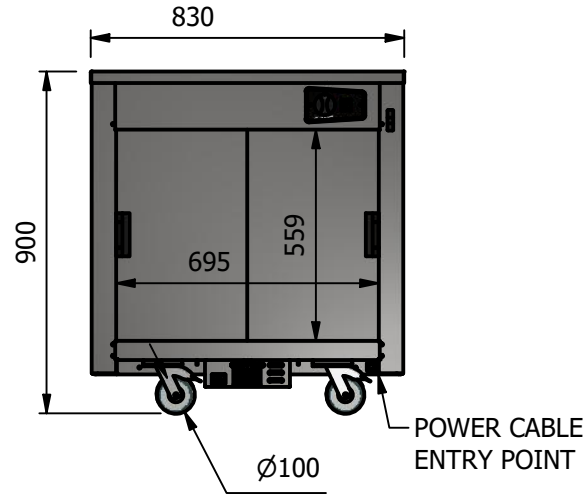
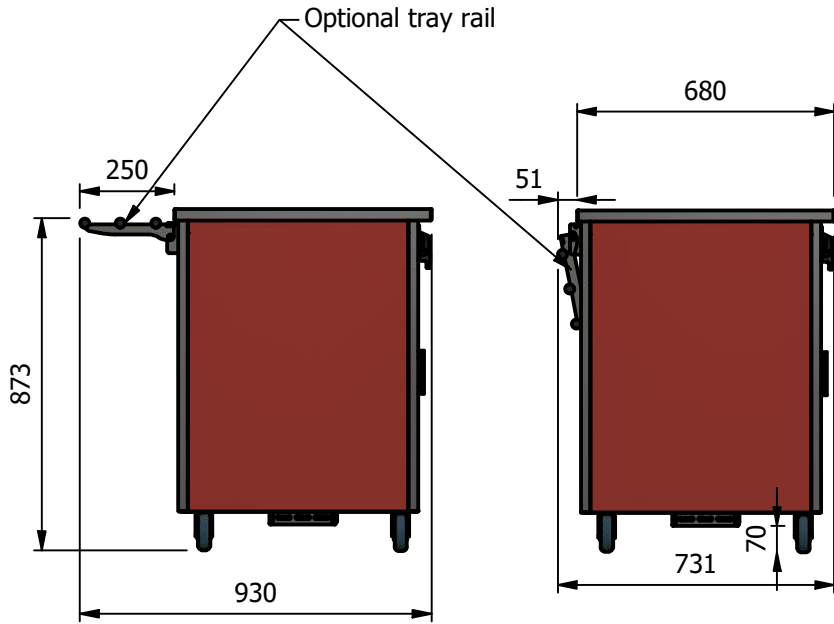
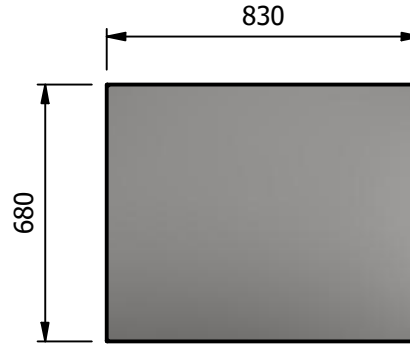


NOTE:- Serving height for children up to 12 years of age.  
 This model is available with a work top height of 800mm  
 Trayside height of 773mm.  
 Please add "B" to the end of the product code.

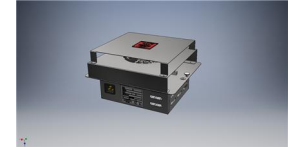


**Specification**

Solid Stainless Steel Worktop  
 Insulated for efficiency  
 provides a clean serving area.

Dry Heat  
 Fan Assisted Hotcupboard

Dimensions  
 Width - 830mm  
 Depth - 680mm  
 Height - 900mm  
 Weight - 34kg



Sahara Fan Model SF309

Capacity of Hot Cupboard [usable inside space]

Width - 695mm  
 Depth - 555mm  
 Usable Height Bottom shelf - 204mm  
 Usable Height Top Shelf - 245mm

25 covers & meals [10" plated meals stacked using plate covers]  
 or  
 95 off 10" plates stacked for heating  
 or  
 4 off 1/1GN pans side by side 150mm deep 2 on top 2 on bottom

Power Rating  
 0.9kw.  
 complete with a 2m long cord set & 10 amp plug  
 Removable Fan heating System Sahara Fan Model SF309

Materials  
 1.2mm 304 Grade St/ Steel Top & Supports  
 0.7mm 430 Grade St/ Steel Internal Structure  
 GN 1/1 Grid Shelves with 30mm x 30mm tube supports

Installation  
 All swivel castors, two braked

ALL SHEET METAL DIMENSIONS ARE I/S (INSIDE SIZES) (UNLESS OTHERWISE STATED)

ALL DIMENSIONS IN (mm), TOLERANCE = LINEAR ± 0.5mm, ANGULAR ± 0.5mm (OR AS STATED). ALL SHARP EDGES TO BE REMOVED FROM SHEET METAL PARTS

Product	VERSICARTE			Product No	N/A		
Description	*** VC2HC ***			<small>No reproduction or publication of this drawing may be made, and no article may be manufactured or assembled in accordance with this drawing without prior written consent. This prohibition is a term of any contract relating to this drawing. Rights reserved under the Copyright Act 1956 as amended by the Design Copyright Act 1968.</small>			
Material/Finish	Thickness		Desp/Date				
Legacy P/N	Weight	34kg	Quote No.				
Client			SO Number	STANDARD	Dwg No.	VCP-060364	Issue
Client Project			Approved By		Drawn By	ABB	-
VERSIGEN AUSTRALIA PTY LTD, 182 HARTLEY ROAD, SMEATON GRANGE, NSW 2567, T: +61 (0)131 653 330, E: sales@versigen.com.au, Web: www.versigen.com.au					Date	28/10/2019	
					Scale	1 : 20	Sheet
							1 / 2
							<b>A4</b>