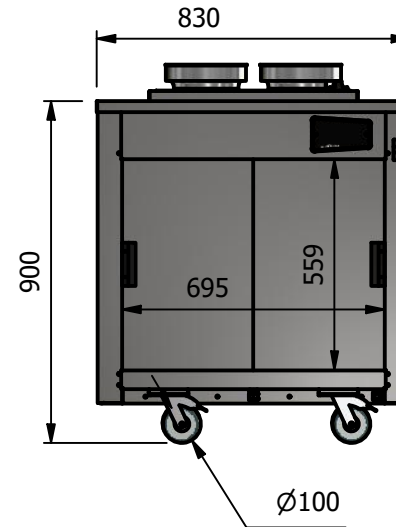
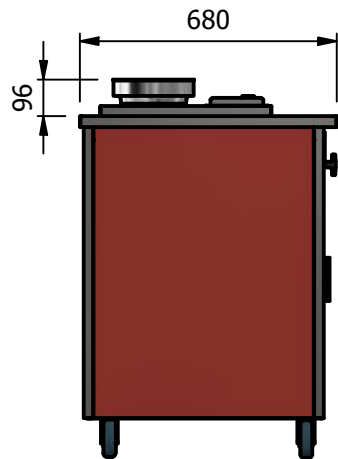
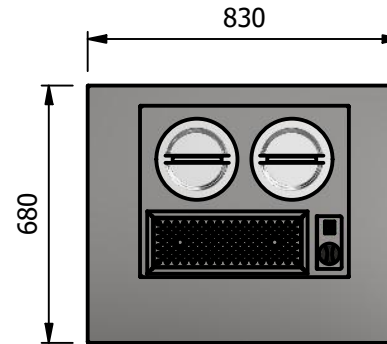


NOTE:- Serving height for children up to 12 years of age.
 This model is available with a work top height of 800mm
 Trayslide height of 773mm.
 Please add "B" to the end of the product code.



Specification

Dimensions

Width - 830mm
 Depth - 680mm
 Height - 900mm
 Weight - 45kg

Power Rating

0.70kw
 complete with a 2m long cord set & 10 amp plug

Soup Station

Dry heat well with solid state elements
 Two Stainless steel Pots with lids
 2 x 4 litre capacity
 Complete with a removable drip tray with perforated lid

Capacity of ambient cupboard [usable inside space]

Width - 695mm
 Depth - 555mm
 Usable Height Bottom shelf - 204mm
 Usable Height Top Shelf - 245mm

400 off 6" Bowls stacked
 or
 4 off 1/1GN pans side by side 150mm deep 2 on top 2 on bottom

Materials


1.2mm 304 Grade St/ Steel Top & Supports
 0.7mm 430 Grade St/ Steel Internal Structure
 GN 1/1 Grid Shelves with 30mm x 30mm tube supports

Installation

All swivel castors, two braked

ALL SHEET METAL DIMENSIONS ARE I/S (INSIDE SIZES) (UNLESS OTHERWISE STATED)

ALL DIMENSIONS IN (mm), TOLERANCE = LINEAR ± 0.5mm, ANGULAR ± 0.5mm (OR AS STATED). ALL SHARP EDGES TO BE REMOVED FROM SHEET METAL PARTS

Product	VERSICARTE			Product No	N/A		
Description	*** VC2SS ***						
Material/Finish	Thickness		Desp/Date		<small>© No reproduction or publication of this drawing may be made, and no article may be manufactured or assembled in accordance with this drawing without prior written consent. This prohibition is a term of any contract relating to this drawing. Rights reserved under the Copyright Act 1956 as amended by the Design Copyright Act 1968.</small> 		
Legacy P/N	Weight	45kg	Quote No.				
Client			SO Number	STANDARD	Dwg No.	VCP-065782	Issue
Client Project			Approved By		Drawn By	ABB	-
VERSIGEN AUSTRALIA PTY LTD, 182 HARTLEY ROAD, SMEATON GRANGE, NSW 2567, T: +61 (0)131 653 330, E: sales@versigen.com.au, Web: www.versigen.com.au					Date	28/10/2019	
					Scale	1 : 20	Sheet
							1 / 2
							A4