

NOTE:- Serving height for children up to 12 years of age.
 This model is available with a work top height of 800mm
 and a Trayslide height of 773mm.
 Please add "B" to the end of the product code.

Specification

Bainmarie well

Dry heat

The open top with raised lip is designed to hold Gastronorm pans and heats via a solid state element fitted internally below the pans, additional excess residual hot air from the hot cupboard is also used to maintain temperature which gives energy saving efficiency.

Dry Heat

Fan Assisted Hotcupboard

Dimensions

Width - 1158mm
 Depth - 680mm
 Height - 900mm
 Weight - 67kg



Sahara Fan Model SF309

Capacity of Bainmarie

Three GN1/1 pans up to 150mm deep
 [Note:-pans are not supplied, available at extra cost]

Capacity of Hot Cupboard [usable inside space]

Width - 1023mm
 Depth - 555mm
 Usable Height Bottom shelf - 204mm
 Usable Height Top Shelf - 245mm

35 covers & meals [10" plated meals stacked using plate covers]
 or
 133 off 10" plates stacked for heating
 or
 6 off 1/1GN pans side by side 150mm deep 3 on top 3 on bottom

Power Rating

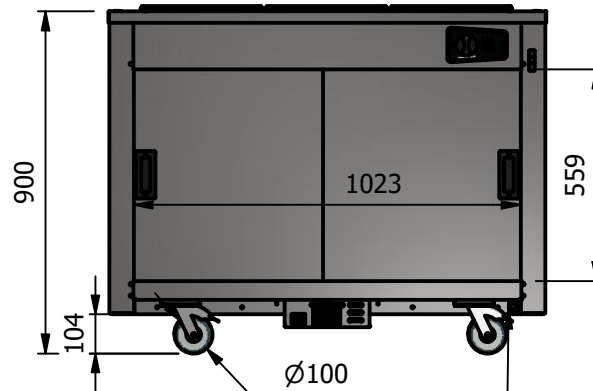
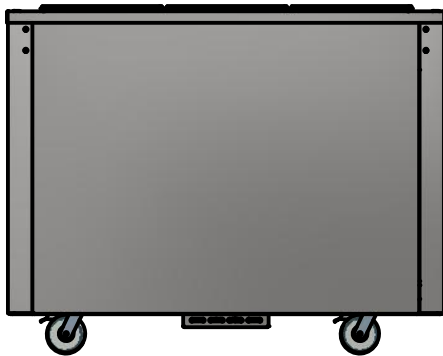
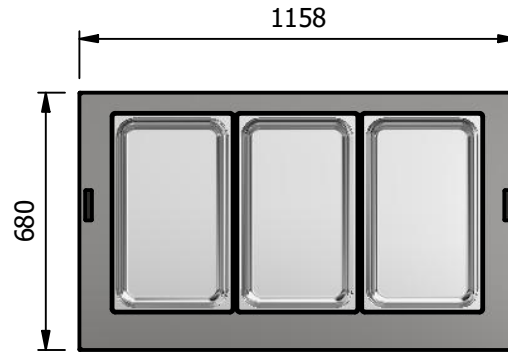
1.9kw with no gantry, 2.34Kw with heated gantry.
 complete with a 2m long cord set & 10amp or 15amp plug
 Removable Fan heating System Sahara Fan Model SF309

Materials

1.2mm 304 Grade St/ Steel Top & Supports
 0.7mm 430 Grade St/ Steel Internal Structure
 GN 1/1 Grid Shelves with 30mm x 30mm tube supports

Installation

All swivel castors, two braked



POWER CABLE
 ENTRY POINT

ALL SHEET METAL DIMENSIONS ARE I/S (INSIDE SIZES) (UNLESS OTHERWISE STATED)

ALL DIMENSIONS IN (mm), TOLERANCE = LINEAR ± 0.5mm, ANGULAR ± 0.5mm (OR AS STATED). ALL SHARP EDGES TO BE REMOVED FROM SHEET METAL PARTS

Product	VERSICARTE		Product No	N/A		<small>No reproduction or publication of this drawing may be made, and no article may be manufactured or assembled in accordance with this drawing without prior written consent. This prohibition is a term of any contract relating to this drawing. Rights reserved under the Copyright Act 1956 as amended by the Design Copyright Act 1968.</small>		
Description	VC3BM		Desp/Date					
Material/Finish	Thickness		Quote No.	Dwg No.	VCP-072335	Issue		
Legacy P/N	Weight	67kg	SO Number	STANDARD	Drawn By	ABB		
Client			Approved By		Date	28/10/2019		
Client Project					Scale	1 : 20	Sheet	1 / 1
VERSIGEN AUSTRALIA PTY LTD, 182 HARTLEY ROAD, SMEATON GRANGE, NSW 2567, T: +61 (0)131 653 330, E: sales@versigen.com.au, Web: www.versigen.com.au								A4