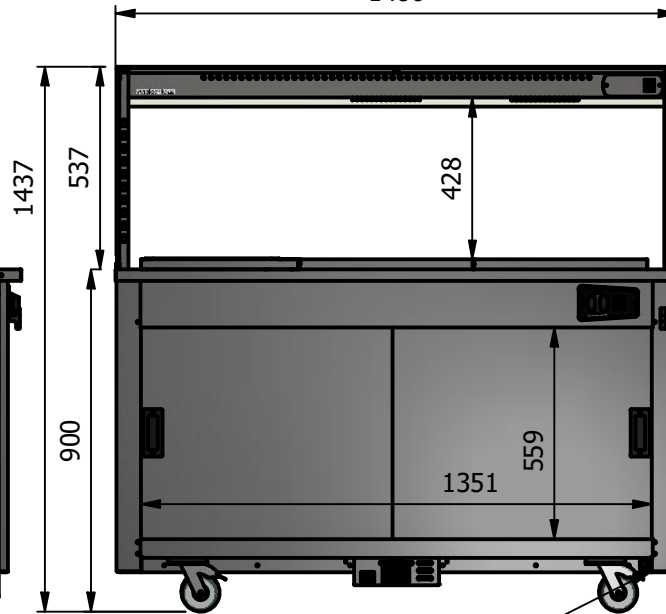
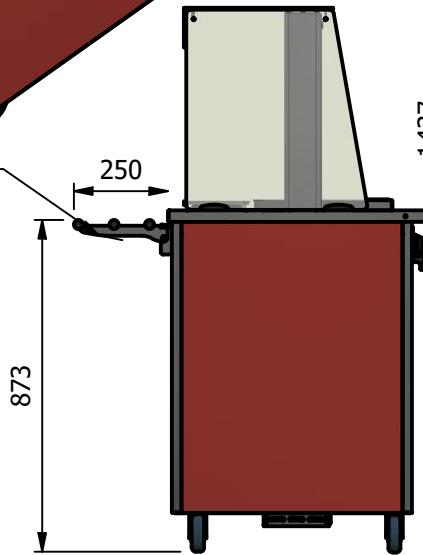


Optional trayrail



Specification

Dimensions

Width - 1486mm
 Depth - 680mm
 Height - 1437mm
 Weight - 95kg

Gantry

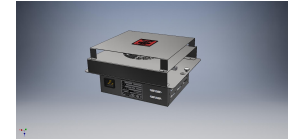
2 off Quartz heat lamps 500w each

Bainmarie well for Vegetables and Sauces etc

Dry heat with a raised lip designed to hold Gastronorm pans.
 Heats via residual heat from the hot cupboard fan and the carving pad element.
 Note:- Pans and lids are supplied
 Capacity:- Three GN1/3 pans with Lids and Two GN1/6 pans with lids.

Hotcupboard

Dry heat fan assisted hot cupboard
 Capacity:- [usable inside space]
 Width - 950mm
 Depth - 555mm
 Usable Height Bottom shelf - 204mm
 Usable Height Top Shelf - 245mm



Sahara Fan Model SF309

Carvery Pads

Two spiked heavy duty pads with an anti drip edge all round for carving and display
 Capacity:- 2 off 420mm x 328mm

Plate Dispenser

Pop up self leveling system complete with a lid.
 Heats via residual heat from the hot cupboard fan and the carving pad element.
 Capacity:- Can accommodate any size or shaped plate or dish that will fit within a 300mm [12"] Square. Holds around 65 plates depending on thickness and shape

Power Rating

2.9kw
 complete with a 2m long cord set & 15amp plug
 Removable Fan heating System Sahara Fan Model SF309

Materials


1.2mm 304 Grade St/ Steel Top & Supports
 0.7mm 430 Grade St/ Steel Internal Structure
 GN 1/1 Grid Shelves with 30mm x 30mm tube supports

Installation

All swivel castors, two braked

ALL SHEET METAL DIMENSIONS ARE I/S (INSIDE SIZES) (UNLESS OTHERWISE STATED)

ALL DIMENSIONS IN (mm), TOLERANCE = LINEAR ± 0.5mm, ANGULAR ± 0.5mm (OR AS STATED). ALL SHARP EDGES TO BE REMOVED FROM SHEET METAL PARTS

Product	VERSICARTE			Product No	N/A			 <p>No reproduction or publication of this drawing may be made, and no article may be manufactured or assembled in accordance with this drawing without prior written consent. This prohibition is a term of any contract relating to this drawing. Rights reserved under the Copyright Act 1956 as amended by the Design Copyright Act 1968.</p>		
Description	*** VC4CSSL ***									
Material/Finish	Thickness		Desp/Date				Dwg No.	VCP-066817	Issue	
Legacy P/N	Weight	95kg	Quote No.				Drawn By	ABB	-	
Client			SO Number	STANDARD			Date	28/10/2019		
Client Project			Approved By				Scale	1 : 20	Sheet	
VERSIGEN AUSTRALIA PTY LTD, 182 HARTLEY ROAD, SMEATON GRANGE, NSW 2567, T: +61 (0)131 653 330, E: sales@versigen.com.au, Web: www.versigen.com.au									1 / 2	A4