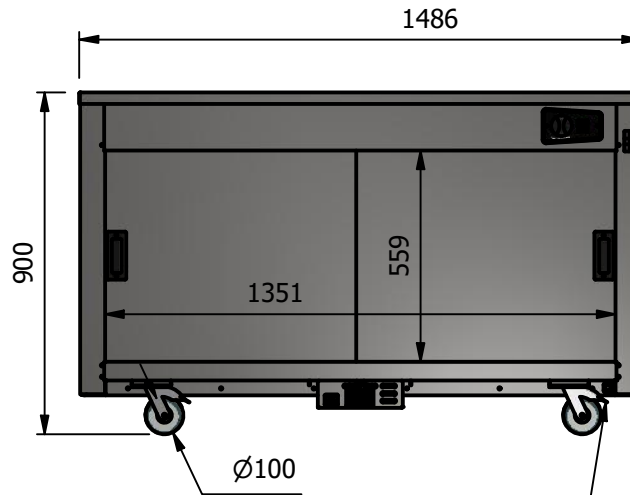
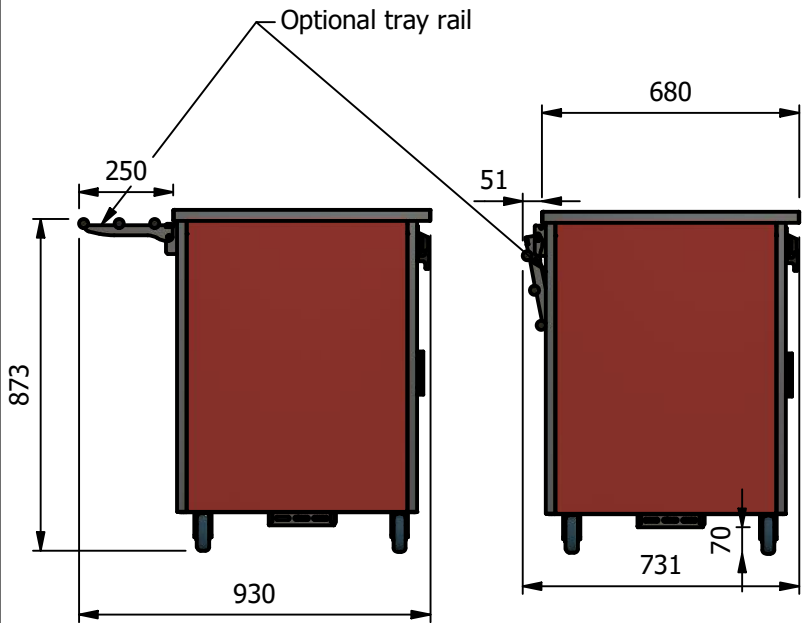
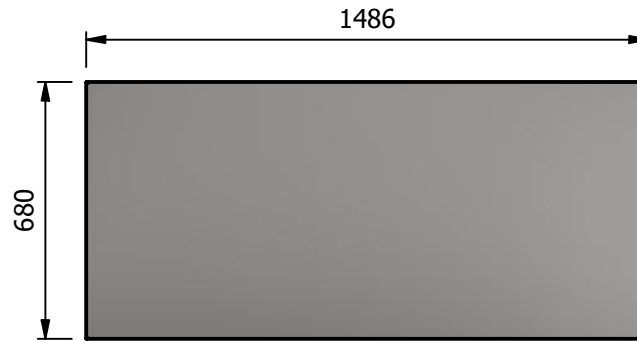


NOTE:- Serving height for children up to 12 years of age.  
 This model is available with a work top height of 800mm  
 Trayslide height of 773mm.  
 Please add "B" to the end of the product code.

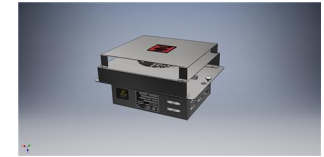


POWER CABLE  
ENTRY POINT

**Specification**

Solid Stainless Steel Worktop  
 Insulated for efficiency  
 provides a clean serving area.

Dry Heat  
 Fan Assisted Hotcupboard



Sahara Fan Model SF315

Dimensions  
 Width - 1486mm  
 Depth - 680mm  
 Height - 900mm  
 Weight - 68kg

Capacity of Hot Cupboard [usable inside space]  
 Width - 1351mm  
 Depth - 555mm  
 Usable Height Bottom shelf - 204mm  
 Usable Height Top Shelf - 245mm

50 covers & meals [10" plated meals stacked using plate covers]  
 or  
 190 off 10" plates stacked for heating  
 or  
 8 off 1/1GN pans side by side 150mm deep 4 on top 4 on bottom

Power Rating  
 1.5kw.  
 complete with a 2m long cord set & 10 amp plug  
 Removable Fan heating System Sahara Fan Model SF315

Materials  
 1.2mm 304 Grade St/ Steel Top & Supports  
 0.7mm 430 Grade St/ Steel Internal Structure  
 GN 1/1 Grid Shelves with 30mm x 30mm tube supports

Installation  
 All swivel castors, two braked

ALL SHEET METAL DIMENSIONS ARE I/S (INSIDE SIZES) (UNLESS OTHERWISE STATED)

ALL DIMENSIONS IN (mm), TOLERANCE = LINEAR ± 0.5mm, ANGULAR ± 0.5mm (OR AS STATED). ALL SHARP EDGES TO BE REMOVED FROM SHEET METAL PARTS

Product	VERSICARTE			Product No	N/A		
Description	*** VC4HC ***			<small>No reproduction or publication of this drawing may be made, and no article may be manufactured or assembled in accordance with this drawing without prior written consent. This prohibition is a term of any contract relating to this drawing. Rights reserved under the Copyright Act 1956 as amended by the Design Copyright Act 1968.</small>			
Material/Finish	Thickness			Desp/Date			
Legacy P/N	Weight	68kg		Quote No.	Dwg No.	VCP-060365	Issue
Client				SO Number	STANDARD		Drawn By
Client Project				Approved By	Date	28/10/2019	-
VERSIGEN AUSTRALIA PTY LTD, 182 HARTLEY ROAD, SMEATON GRANGE, NSW 2567, T: +61 (0)131 653 330, E: sales@versigen.com.au, Web: www.versigen.com.au						Scale	1 : 20
						Sheet	1 / 2
							A4

**Versigen**