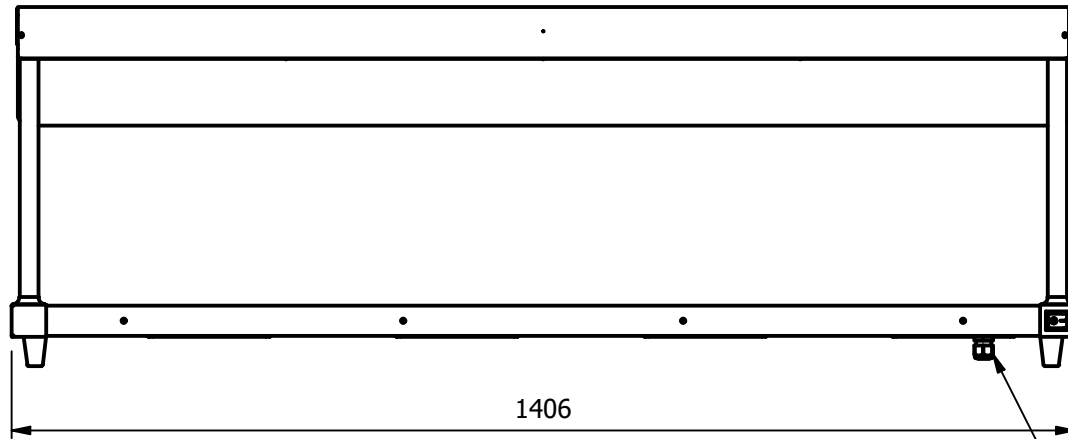
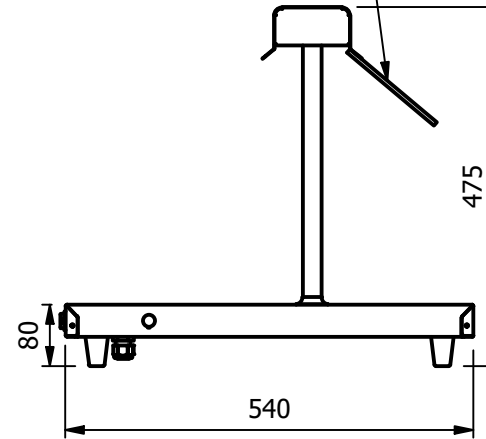


Neo-Ceram Hot Top Area



Perspex Sneeze Guard



Power outlet

Specification

Versitop with Heated Gantry
Neo-Ceram glass hot plates self regulating at approximately 95°C
With quartz illuminated and heated overhead gantry.

Dimensions

Width - 1406mm
Depth - 539mm
Height - 475mm (80mm to serving Top)
Weight - 30kg

Power Rating

1.38kw
complete with a 2m long cord set & 10 amp plug

Materials

0.7mm 430 Grade St/Steel
1.2mm 430 Grade St Steel Ancillary Parts
4mm Neo-Ceram Hot Plates

Installation

Table Top

ALL SHEET METAL DIMENSIONS ARE I/S (INSIDE SIZES) (UNLESS OTHERWISE STATED)

ALL DIMENSIONS IN (mm), TOLERANCE = LINEAR ± 0.5mm, ANGULAR ± 0.5mm (OR AS STATED). ALL SHARP EDGES TO BE REMOVED FROM SHEET METAL PARTS

Product	FOCUS TOPS			Product No								
Description	FTG4											
Material/Finish	Thickness			Desp/Date								
Legacy P/N	Weight	30kg		Quote No.								
Client				SO Number	STANDARD		Dwg No.	VCP-094058-1		Issue		
Client Project				Approved By			Drawn By	N.Raymen		-		
VERSIGEN AUSTRALIA PTY LTD, 182 HARTLEY ROAD, SMEATON GRANGE, NSW 2567, T: +61 (0)131 653 330, E: sales@versigen.com.au, Web: www.versigen.com.au							Scale	1 : 10		Sheet	1 / 2	A4

No reproduction or publication of this drawing may be made, and no article may be manufactured or assembled in accordance with this drawing without prior written consent. This prohibition is a term of any contract relating to this drawing. Rights reserved under the Copyright Act 1956 as amended by the Design Copyright Act 1968.

