

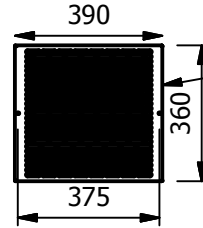
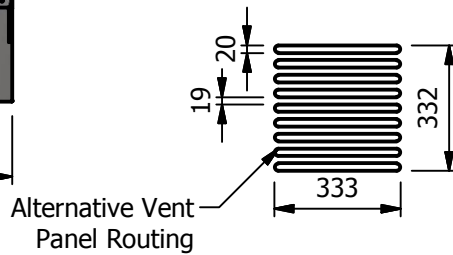
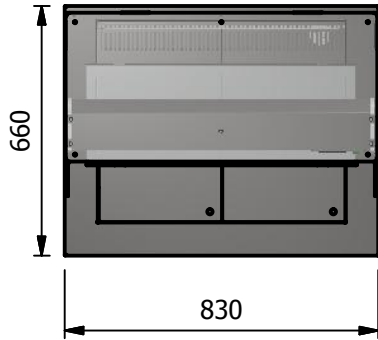
← AirFlow

**Important Design Parameters**

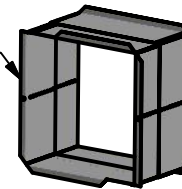
Allowances must be made for air venting.  
 The under slung compressor must have an unrestricted air flow.  
 Proper venting must be provided ensuring cool air from the room can be drawn in through the condensing coil and out the other side.  
 The 'Plenum Duct' supplied should be fitted between the unit & the shop-fitted counter panels.

**Warning**

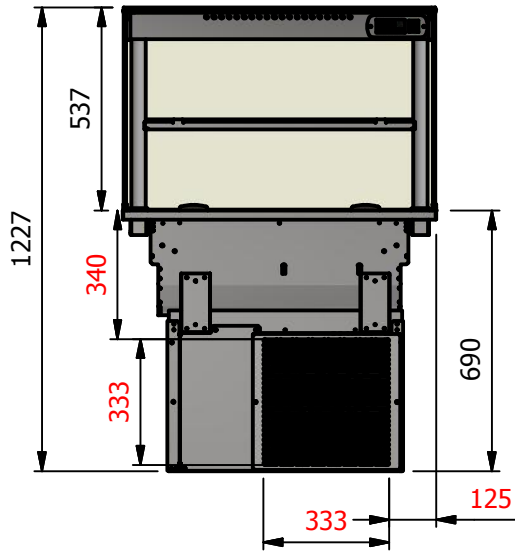
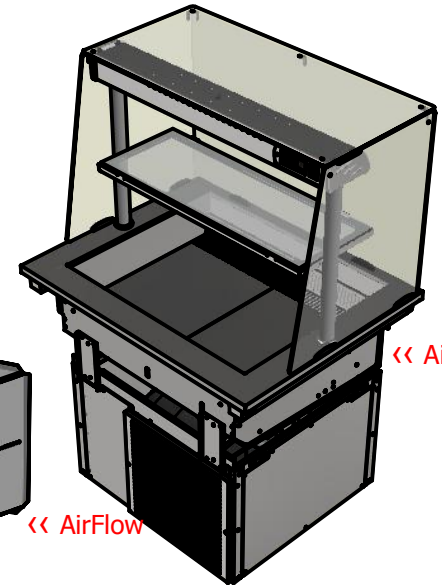
Do not install unit in draughty conditions where the air movement is greater than 0.2mtr/sec.  
 e.g.near entrance/exit doors, open windows, under air conditioning units or a ceiling mounted fan  
 Do not install units where there is high radiated heat, e.g. direct sunlight, room heaters, or bright spot lights.  
 Ambient room conditions must not exceed 25°C or a relative humidity of 60%.  
 Blocked vents will cause reduced refrigeration efficiency and lead to malfunction



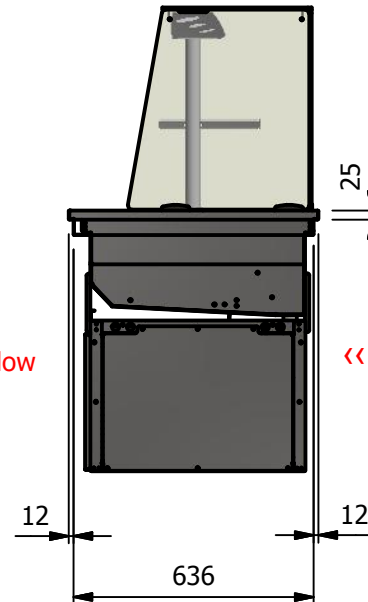
Plenum Duct  
 Standard Vent  
 Grilles 333mm x 333mm



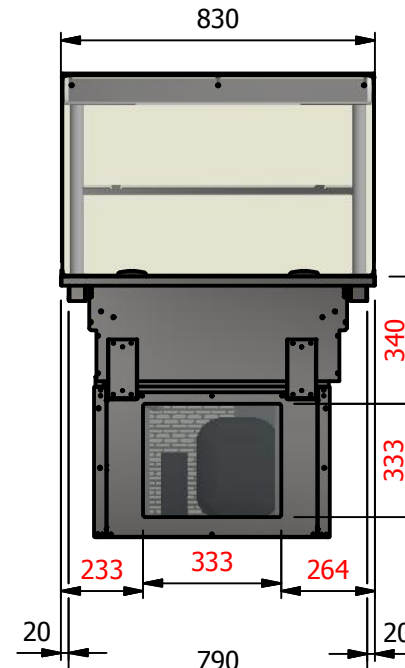
← AirFlow



← AirFlow



← AirFlow



**Specification**

- Dimensions**  
 Width - 830mm  
 Depth - 660mm  
 Height - 1227mm  
 Weight - 82kg  
 Well - 656mm x 505mm x 100mm
- Power Rating**  
 1.5 k0  
 complete with a 2m long cord set & 10amp plug
- Materials**  
 0.7mm 430 Grade St/Steel Gantry Hood  
 1.2mm 304 Grade St/ Steel Top & Supports  
 1.2mm 430 Grade St Steel Ancillary Parts  
 1.2mm Galvanised Steel Inner Supports  
 6mm Tempered Glass
- LED Illumination**
- Installation**  
 Counter Top Flush Fit Cut Out Dimensions  
 836mm x 666mm x 25mm  
 Counter Support Cut Out Dimensions  
 812mm x 642mm

ALL SHEET METAL DIMENSIONS ARE I/S (INSIDE SIZES) (UNLESS OTHERWISE STATED)

ALL DIMENSIONS IN (mm), TOLERANCE = LINEAR ± 0.5mm, ANGULAR ± 0.5mm (OR AS STATED). ALL SHARP EDGES TO BE REMOVED FROM SHEET METAL PARTS

Product	DROP-IN RANGE			Product No									
Description	D2RWDSL												
Material/Finish	Thickness				Desp/Date								
Legacy P/N	Weight	82kg			Quote No.								
Client				SO Number	N/A			Dwg No.	DIP-034679		Issue		
Client Project				Approved By				Drawn By	ABB		-		
								Date	15/01/2019				
VERSIGEN AUSTRALIA PTY LTD, 182 HARTLEY ROAD, SMEATON GRANGE, NSW 2567, T: +61 (0)131 653 330, E: sales@versigen.com.au, Web: www.versigen.com.au								Scale	1:20		Sheet	1 / 1	A4

No reproduction or publication of this drawing may be made, and no article may be manufactured or assembled in accordance with this drawing without prior written consent. This prohibition is a term of any contract relating to this drawing. Rights reserved under the Copyright Act 1956 as amended by the Design Copyright Act 1968.

