

Important Design Parameters

Allowances must be made for air venting.

The under slung compressor must have an unrestricted air flow.

Proper venting must be provided ensuring cool air from the room can be drawn in through the condensing coil and out the other side.

The 'Plenum Duct' supplied should be fitted between the unit & the shop-fitted counter panels.

Warning

Do not install unit in draughty conditions where the air movement is greater than 0.2mtr/sec.

e.g.near entrance/exit doors, open windows, under air conditioning units or a ceiling mounted fan

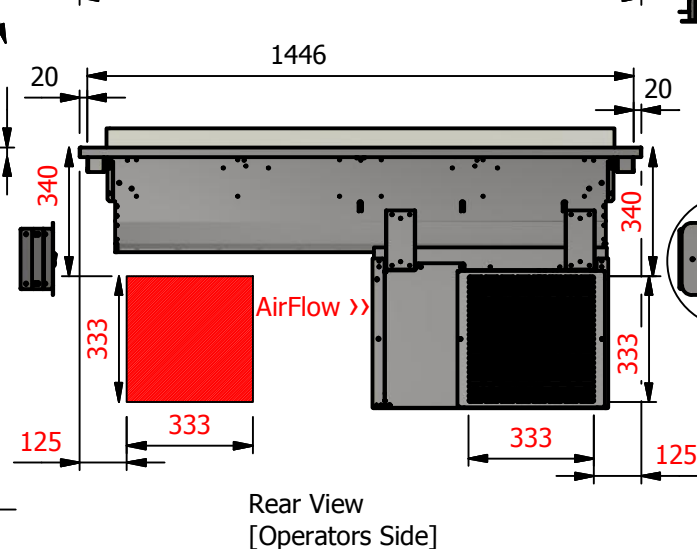
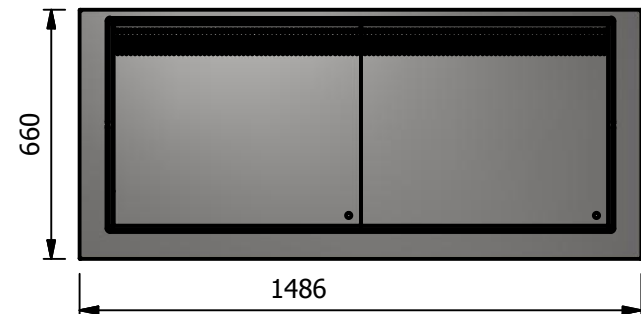
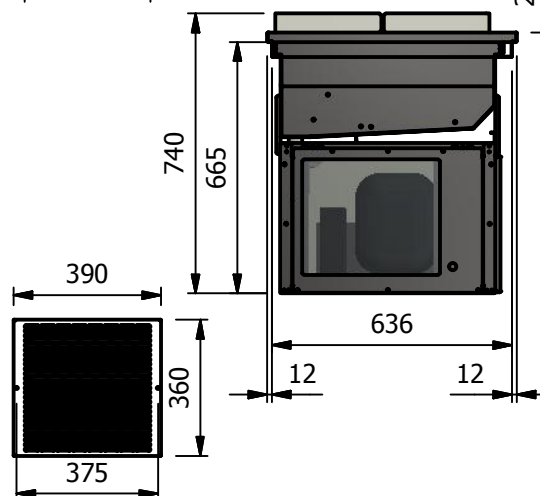
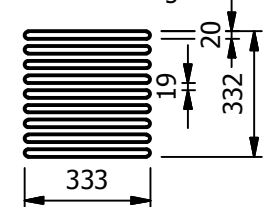
Do not install units where there is high radiated heat, e.g. direct sunlight, room heaters, or bright spot lights.

Ambient room conditions must not exceed 25°C or a relative humidity of 60%.

Blocked vents will cause reduced refrigeration efficiency and lead to malfunction

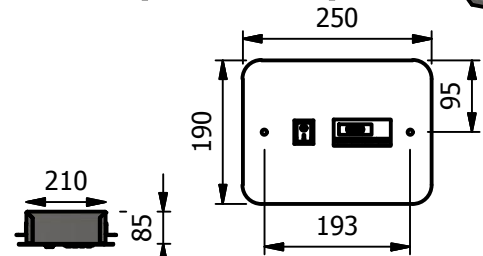
Important
Position of air intake vent
This area must be clear for air flow

Alternative Vent
Panel Routing

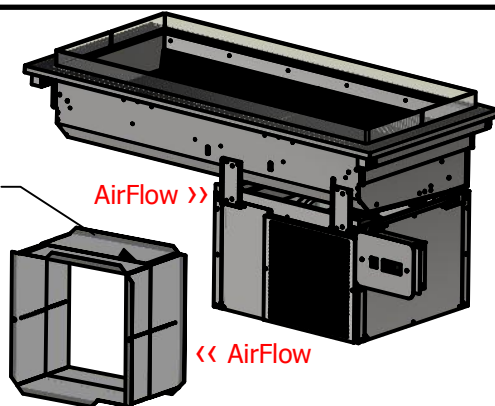
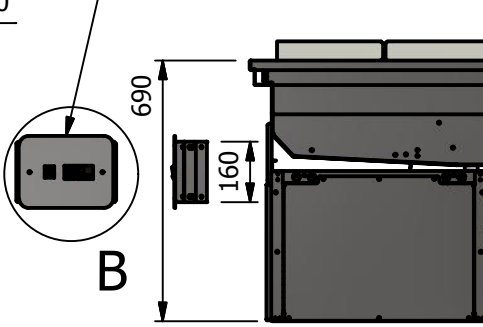


Rear View
[Operators Side]

B (1 : 10)



Panel Mounted Control Box



Plenum Duct

Specification

Dimensions

- Width - 1486mm
- Depth - 660mm
- Height - 740mm
- Weight - 76kg
- Well - 1312mm x 505mm x 100mm

Power Rating

1.5 kw
complete with a 2m long cord set & 10amp plug

Materials

- 0.7mm 430 Grade St/Steel Gantry Hood
- 1.2mm 304 Grade St/ Steel Top & Supports
- 1.2mm 430 Grade St Steel Ancillary Parts
- 1.2mm Galvanised Steel Inner Supports
- 6mm Tempered Glass
- LED Illumination

Installation

- Counter Top Flush Fit Cut Out Dimensions
1492mm x 666mm x 25mm
- Counter Support Cut Out Dimensions
1468mm x 642mm
- Control Box
- Panel Mounted Cut Out Dimension
215mm x 165mm
- 2m Long Power Cable Connecting
Control Box to Base unit

ALL SHEET METAL DIMENSIONS ARE I/S (INSIDE SIZES) (UNLESS OTHERWISE STATED) ALL DIMENSIONS IN (mm), TOLERANCE = LINEAR ± 0.5mm, ANGULAR ± 0.5mm (OR AS STATED). ALL SHARP EDGES TO BE REMOVED FROM SHEET METAL PARTS

Product	DROP-IN RANGE			Product No				
Description	D4RWNG							
Material/Finish	Thickness		Desp/Date					
Legacy P/N	Weight	76kg	Quote No.					
Client			SO Number	N/A	Dwg No.	DIP-034617	Issue	
Client Project			Approved By		Drawn By	ABB		
					Date	22/05/2019		