

Versigen Specification

- Ambient Display
 Front control
 Solid back
 LED Illumination
 with internal adjustable shelving
 Ticket strips and front tray

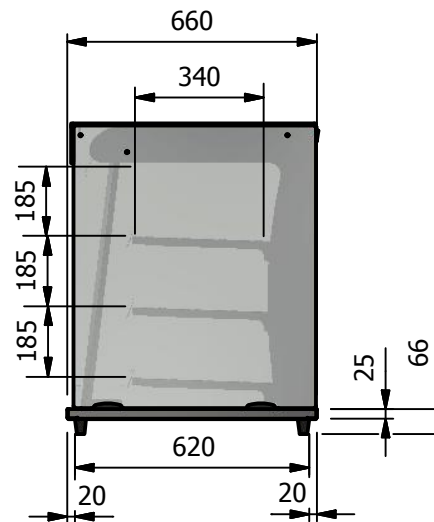
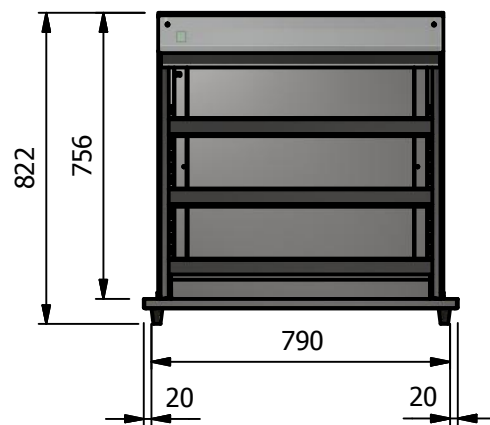
- Capacity
 0.14 m3

- Dimensions
 Width - 830mm
 Depth - 660mm
 Height - 822mm
 Weight - 62kg

- Power Rating
 0.015kw
 complete with a 2m long cord set & 10amp plug

- Materials
 1.2mm 304 Grade St/ Steel Top & Supports
 0.7mm 430 Grade St/ Steel Internal Structure
 6mm Tempered Glass

- Installation
 Counter Top Flush Fit Cut Out Dimensions
 836mm x 666mm x 25mm
 Counter Support Cut Out Dimensions
 812mm x 642mm



ALL SHEET METAL DIMENSIONS ARE I/S (INSIDE SIZES) (UNLESS OTHERWISE STATED)

ALL DIMENSIONS IN (mm), TOLERANCE = LINEAR ± 0.5mm, ANGULAR ± 0.5mm (OR AS STATED). ALL SHARP EDGES TO BE REMOVED FROM SHEET METAL PARTS

Product	GRAB & GO'S			Product No							
Description	D2GASLFC										
Material/Finish	Thickness			Desp/Date							
Legacy P/N	Weight	62kg		Quote No.							
Client				SO Number	N/A		Dwg No.	GGP-028417	Issue		
Client Project				Approved By			Drawn By	ABB	-		
							Date	26/02/2019			
VERSIGEN AUSTRALIA PTY LTD, 182 HARTLEY ROAD, SMEATON GRANGE, NSW 2567, T: +61 (0)131 653 330, E: sales@versigen.com.au, Web: www.versigen.com.au							Scale	1:20	Sheet	1 / 4	A4

No reproduction or publication of this drawing may be made, and no article may be manufactured or assembled in accordance with this drawing without prior written consent. This prohibition is a term of any contract relating to this drawing. Rights reserved under the Copyright Act 1956 as amended by the Design Copyright Act 1968.

