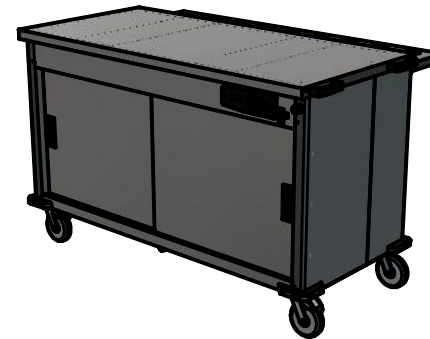
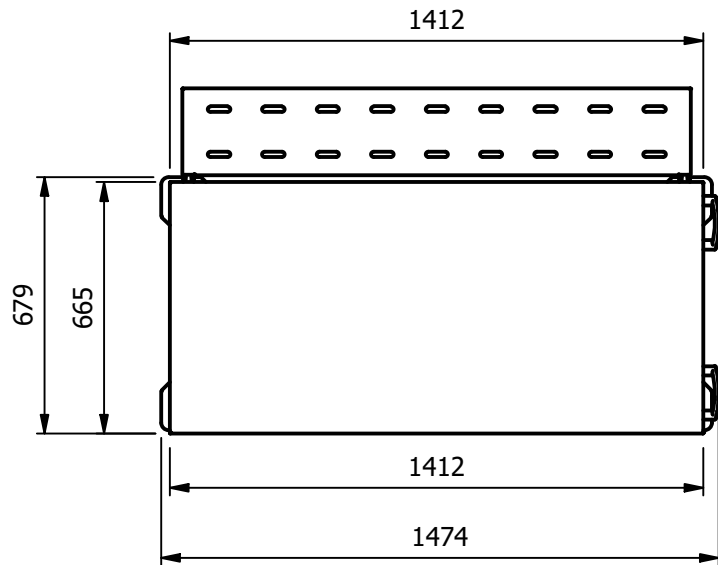
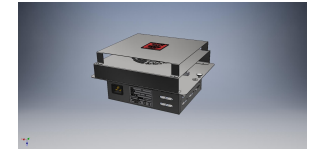


Sahara Fan Model SF319



Versigen Specification

Dry Heat
Fan Assisted Hotcupboard

Dimensions

Length - 1412mm (1474mm with corner bumpers and push handles)
Depth - 665mm (679mm with bumpers, 715mm with folded tray rail)
Height - 900mm
Weight - 73kg

Capacity of Hot Cupboard [usable inside space]

length - 1309mm
Depth - 538mm
Usable Height Bottom shelf - 204mm
Usable Height Top Shelf - 265mm

54 covers & meals [10" plated meals stacked using plate covers]
or
162 off 10" plates stacked for heating
or
8 off 1/1GN pans side by side 150mm deep 4 on top 4 on bottom

Power Rating

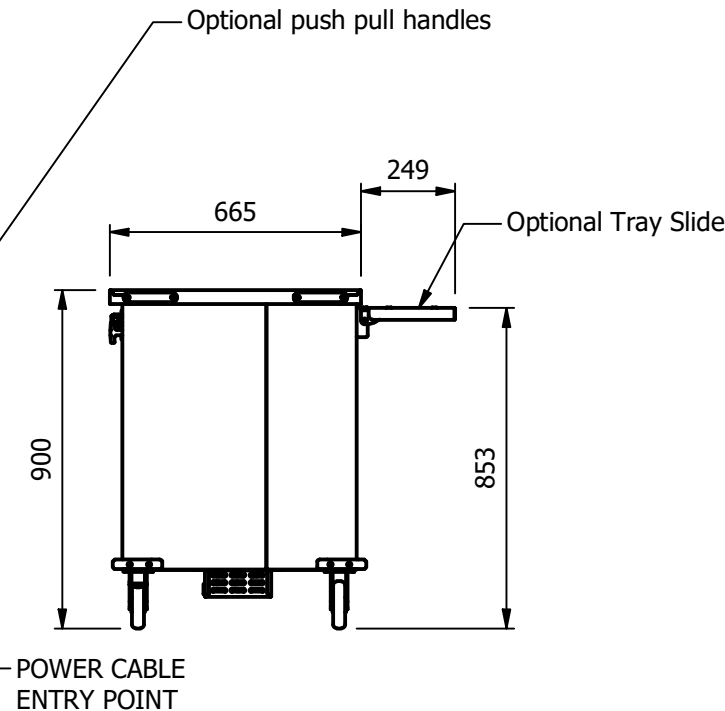
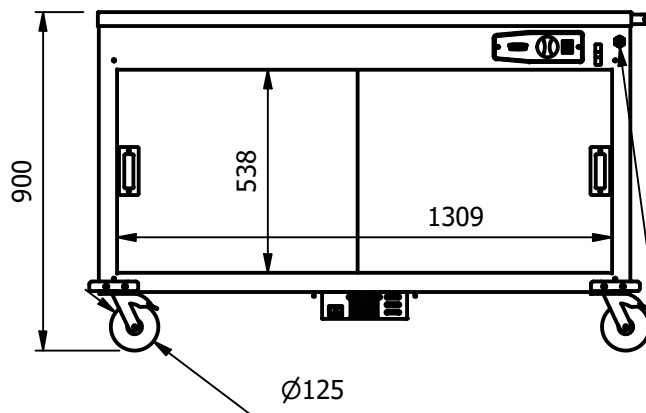
1.9kw with no gantry, 2.34Kw with heated gantry.
complete with a 2m long cord set & 13amp plug
Removable Fan heating System Sahara Fan Model SF319

Materials

1.2mm 304 Grade St/ Steel Top & Supports
0.7mm 430 Grade St/ Steel Internal Structure
GN 1/1 Grid Shelves with 30mm x 30mm tube supports

Installation

All swivel castors, two braked



ALL SHEET METAL DIMENSIONS ARE I/S (INSIDE SIZES) (UNLESS OTHERWISE STATED)

ALL DIMENSIONS IN (mm), TOLERANCE = LINEAR ± 0.5mm, ANGULAR ± 0.5mm (OR AS STATED). ALL SHARP EDGES TO BE REMOVED FROM SHEET METAL PARTS

| | | | | | | | | | | | |
|---|---------------|------|--|-------------|----------|--|--------------|------------|-------|-------|----|
| Product | FOCUS | | | Product No | | | | | | | |
| Description | *** 4FHCM *** | | | | | | | | | | |
| Material/Finish | Thickness | | | Desp/Date | | | | | | | |
| Legacy P/N | Weight | 73kg | | Quote No. | Dwg No. | | UMP-085929-1 | | Issue | | |
| Client | | | | SO Number | STANDARD | | Drawn By | N.Raymen | | | |
| Client Project | | | | Approved By | | | Date | 19/01/2021 | | | |
| VERSIGEN AUSTRALIA PTY LTD, 182 HARTLEY ROAD, SMEATON GRANGE, NSW 2567, T: +61 (0)131 653 330, E: sales@versigen.com.au, Web: www.versigen.com.au | | | | | | | Scale | 1 : 20 | Sheet | 1 / 2 | A4 |

No reproduction or publication of this drawing may be made, and no article may be manufactured or assembled in accordance with this drawing without prior written consent. This prohibition is a term of any contract relating to this drawing. Rights reserved under the Copyright Act 1956 as amended by the Design Copyright Act 1968.

